



**IPC Integrated Professional Cleaning**

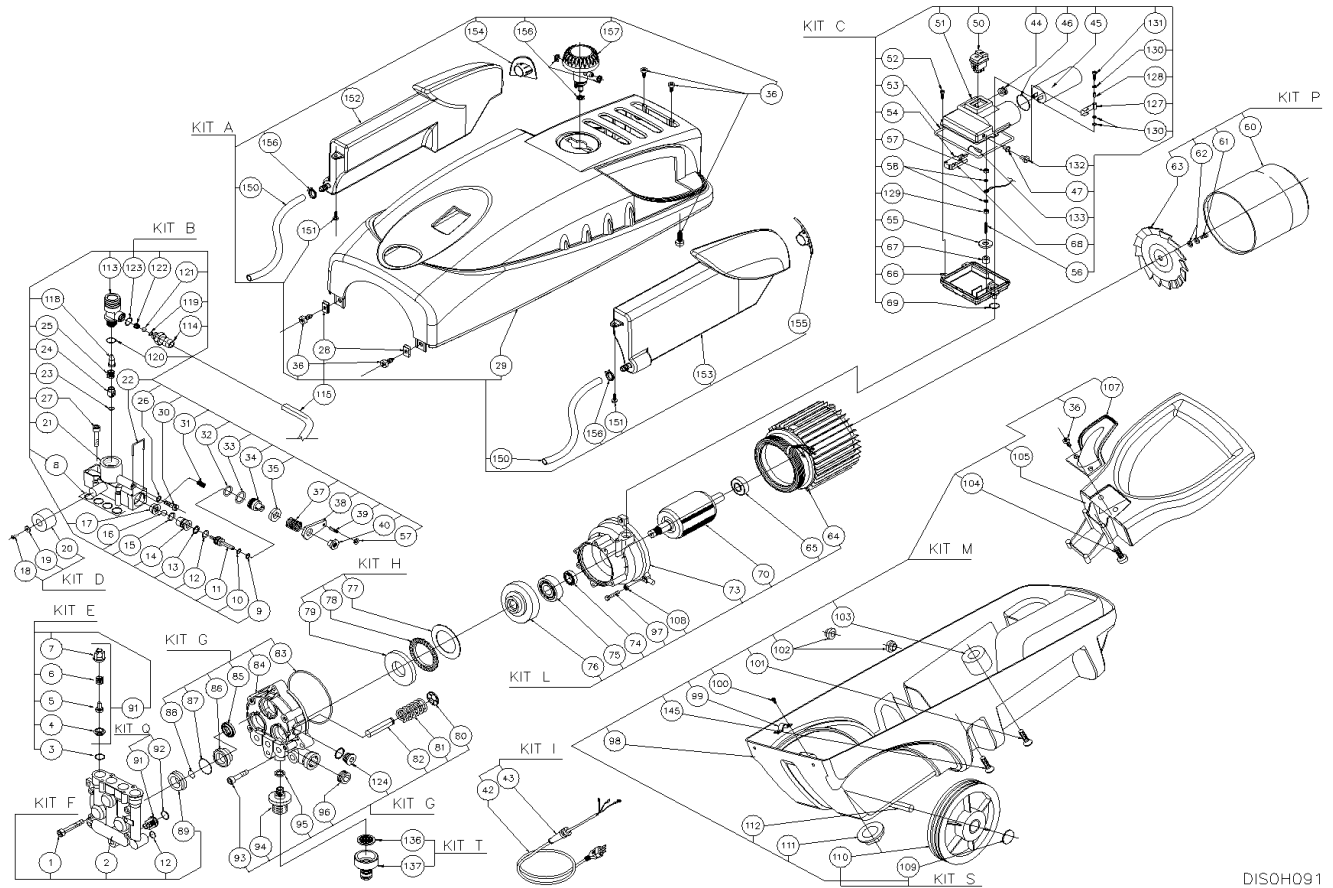
**IPC**Portotecnica

## **Spare Parts List**

**PORTOTECNICA**

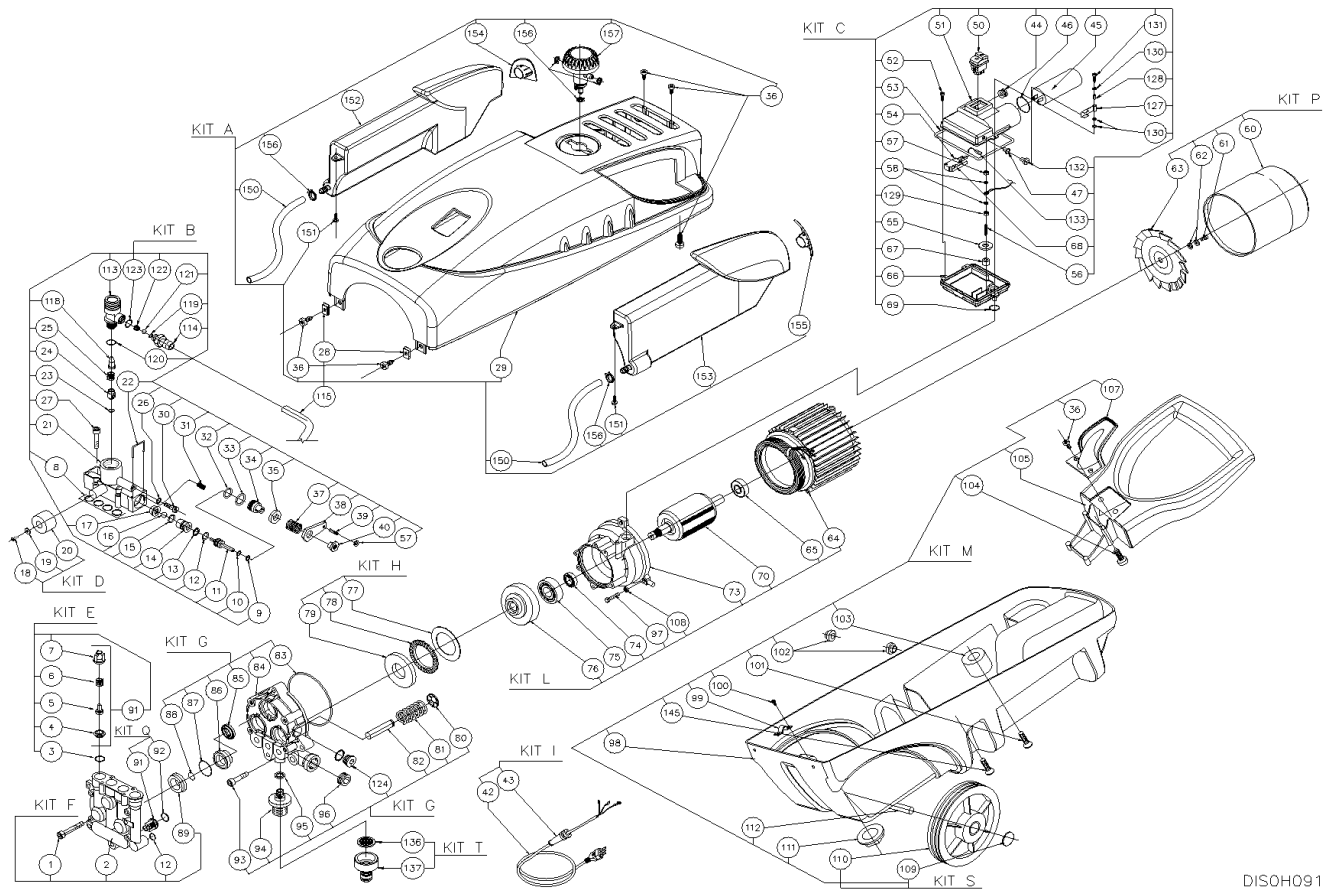
**Ref: IDAF92057**

**Model: IDROP ONE-AF KV2 DS2000 M 230/50 3-01PRT**



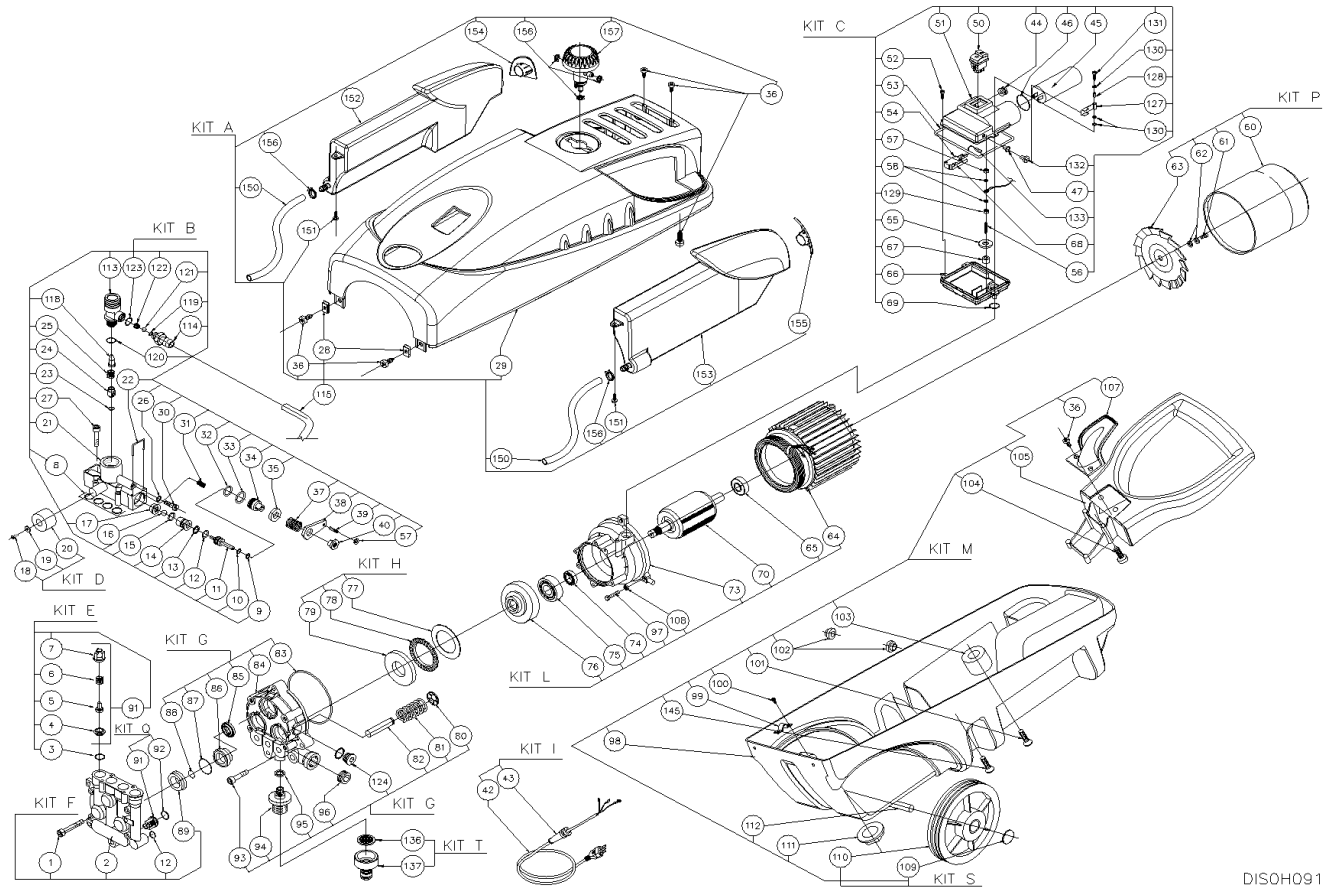
DISOH091

Ref.	K	Part N.	Customer Part N.	Description	Qty	Validity: From To	Price
0001	E	VTVT63028		SCREW TCEI M 6X35	5,00	05/2001	--
0002	E	MFVR91255		PUMP HEAD H90 5VT M7 IMPR.	1,00		--
0003	E	GUGO21841		O-RING D. 12.42 X 1.78 NBR 90SH	3,00		--
0004	E	PVVR40191		VALVE SEAT "TH"	6,00		--
0005	E	PVVR40190		CAP A.700 INX	6,00	05/1997	--
0006	E	MLML40189		SPRING D. 5.5 "TH"	6,00		--
0007	E	PVVR40188		VALVE GUIDE "TH"	6,00		--
0008	E	GUGO40193		O-RING D. 15 X 2 NBR 70SH	4,00		--
0009	E	GUVR40170		ANTI-EXTR.RING D. 6 X 9	1,00		--
0010	E	GUGO12489		O-RING D. 6.07 X 1.78 NBR 70SH	1,00		--
0011	E	PVVR81242		CONTROL PISTON BY-PASS H90 OT S2	1,00		--
0012	E	GUGO63403		O-RING D. 8.73 X 1.78 NBR 70SH	1,00		--
0013	E	GUVR63570		ANTI-EXTR.RING D. 9 X12 X1.5 OR108	1,00		--
0014	E	PVVR81275		VALVE SEAT D. 5.6 B POL.	1,00		--
0015	E	GUGO03496		O-RING D. 9.25 X 1.78 NBR 70SH	1,00		--
0016	E	SFVR53318		BALL D. 7 AISI 420	1,00		--
0017	E	PVVR40167		CAP B12	1,00		--
0018	E	VTVT63061		SCREW M 5X 35 EI-ST UNI 5927	1,00		--
0019	E	VTRS63195		WASHER D. 6.4X16.3X1 UNI 1739/64	1,00	12/2001	--
0020	E	MPVR60544		FOOT H130 (D. 6)	1,00	12/2001	--
0021	E	MFVR83838		MANIFOLD AQ300 C/ASP NEW C/VITE	1,00	04/2002	--
0022	E	LAFN82147		PLUG ARR.CART BY-PASS BUR S2	1,00		--
0023	E	GUGO93633		O-RING D. 5 X 2 NBR 90SH	1,00		--
0024	E	VVSF40182		VALVE H90 PLS	1,00		--
0025	E	MLML59254		SPRING D. 9.2 X10X0.8 AISI 302	1,00		--
0026	E	GUGO01062		O-RING D. 3.69 X 1.78 NBR 70SH	1,00	04/2002	--
0027	E	VTVT63025		SCREW TCEI M 5X30 UNI 5931 12.9	4,00		--
0028	E	FSVR62796		PLATE F.MOR.PD	2,00	01/2002	--
0029	E	MPVR90517		RED COVER H120 PRED. KIT C/S V2 IPC	1,00		--
0030	E	RCDS92734		SCREW CHIUSURA BY PASS M6 ALL.	1,00		--
0031	E	MLML80000		SPRING D. 5.1 X19 X0.4 E/ST	1,00		--
0032	E	GUGO11652		O-RING D. 12.42 X 1.78 NBR 70SH	1,00		--
0033	E	GUGO09720		O-RING D. 14 X 1.78 NBR 70SH	1,00		--
0034	E	PVVR92408		VALVE BODY BY-PASS B ALL.	1,00		--
0035	E	LAFN58903		SPACER D.12 BY-PASS	1,00		--
0036	E	VTVT63113		SCREW TCB TC 4,8X22 C/R ZN/N	8,00	01/2002	--
0037	E	MLML67104		SPRING 130 BAR D. 3.4	1,00		--
0038	E	LAFN58939		BLADE H 97	1,00		--
0039	E	VTVT63055		SCREW M 5X 16 EI-ST UNI 5923	1,00	07/2000	--



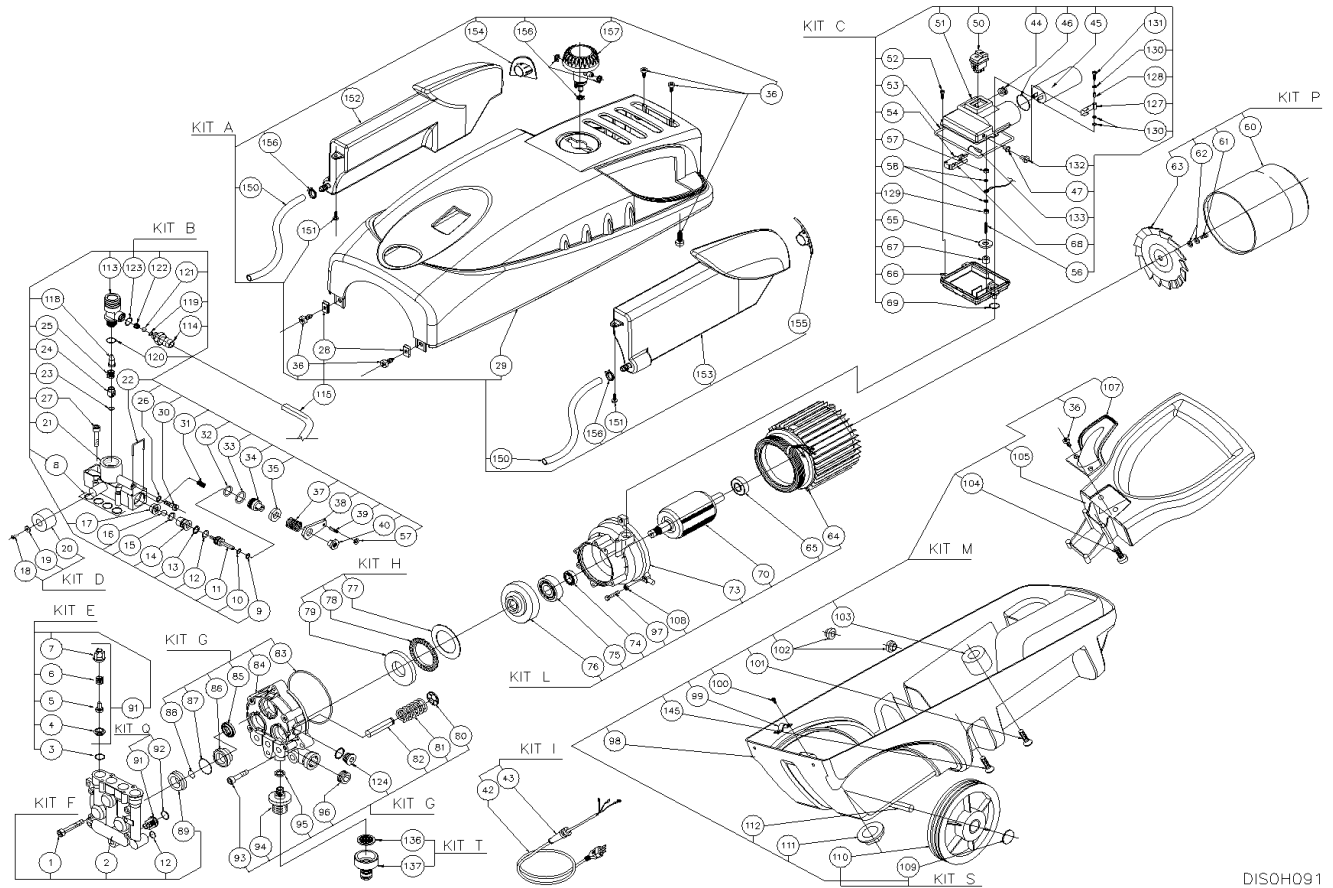
DISOH091

Ref.	K	Part N.	Customer Part N.	Description	Qty	Validity: From	To	Price
0040	E	VTDD63175		NUT M 5 FL.	1,00			--
0042	E	MECB81331		CABLE HO5RN-F 3X1 M5,5	1,00			--
0043	E	MPVR60522		FAIR-LEAD H97 S2	1,00			--
0044	E	MEVR77797		FAIR-LEAD DK7/14/18-3	1,00			--
0045	E	MECO61707		CAPACITOR 30 MF 450V D.45X94 2FAST.	1,00			--
0046	E	GUGO25526		O-RING D. 37.82 X 1.78 NBR 70SH	1,00	07/2000		--
0047	E	MPVR41620		PROTECTOR S.T-STOP FP	1,00	07/2000		--
0049	E	GUGO40147		GASKET SLX FP	1,00	07/2000	06/2003	--
0050	E	MECI90213		SWITCH 0 / 1 CNS	1,00			--
0051	E	MPVR81092		BOX COVER H120 /H130 S2 MD.	1,00	07/2000		--
0052	E	VTVT01516		SCREW TCB TC 3.9X16	2,00	07/2001		--
0053	E	GUVR82555		JOINT D. 4	0,50	09/2001		--
0054	E	MECB64203		CABLE ASS. INTERR./MICRO	1,00	07/2000		--
0055	E	VTRS63242		WASHER D. 6 X24 ZC	1,00	07/2000		--
0056	E	VTVT63061		SCREW M 5X 35 EI-ST UNI 5927	1,00	07/2000		--
0057	E	VTDD01678		NUT M 5 UNI 5588	1,00	07/2000		--
0058	E	VTRS63309		WASHER D. 5 UNI 8842	2,00	07/2000		--
0059	E	MEVR80272		WIRE TERMINAL N.IS. FAST M6,3X0,8 D.5,3	1,00	07/2000		--
0060	E	MPVR84088		CONVEYOR A400/H121	1,00			--
0061	E	VTVT63023		SCREW TCEI M 5X12 ZC	1,00			--
0062	E	VTRS63276		WASHER D. 5 UNI 8836 EL.	2,00	03/1999		--
0063	E	VEVR40161		IMPELLER A.700 D.140	1,00			--
0064	E	MOST84201		EL.MOT. STATOR C125 X65 H90 230/50 CF M6	1,00			--
0065	E	CUVR53295		BALL BEARING 6003 2Z ZKL	1,00	09/1999		--
0066	E	MPVR60093		BOX H130 S2 HOBBY	1,00	07/2000		--
0067	E	LAFN62762		SPACER D. 11 H. 7MM	1,00			--
0069	E	GUGO63500		O-RING D. 19 X 2 NBR 70SH	1,00	07/2000		--
0070	E	MORT91938		EL.MOT. ROTOR CPL 65 X20 H90 AL211 G6	1,00			--
0073	E	MFVR83754		SHIELD ANT. H130 S3 S/SP.	1,00			--
0074	E	PVVR63537		OIL SEAL 17X 28X 7-NBR HOBBY 90	1,00			--
0075	E	CUVR53290		BEARING 6303 17X47X14	1,00	09/1999		--
0076	E	MFVR58085		CAP INCL.10°30'	1,00			--
0077	E	CUVR92974		FLANGE D. 40X60-1 AS4060	1,00			--
0078	E	CUVR92973		ROLLER BEARING AXK 4060	1,00			--
0079	E	CUVR91911		THRUST BLOCK D. 27X60 H6	1,00			--
0080	E	PVVR40190		CAP A.700 INX	3,00			--
0081	E	MLML59285		SPRING 5 SP	3,00			--
0082	E	PIVR90671		PISTON D.12X62 SW	3,00			--
0083	E	GUGO40199		O-RING D. 80.60 X 2.62 NBR 70SH	1,00	05/2001		--



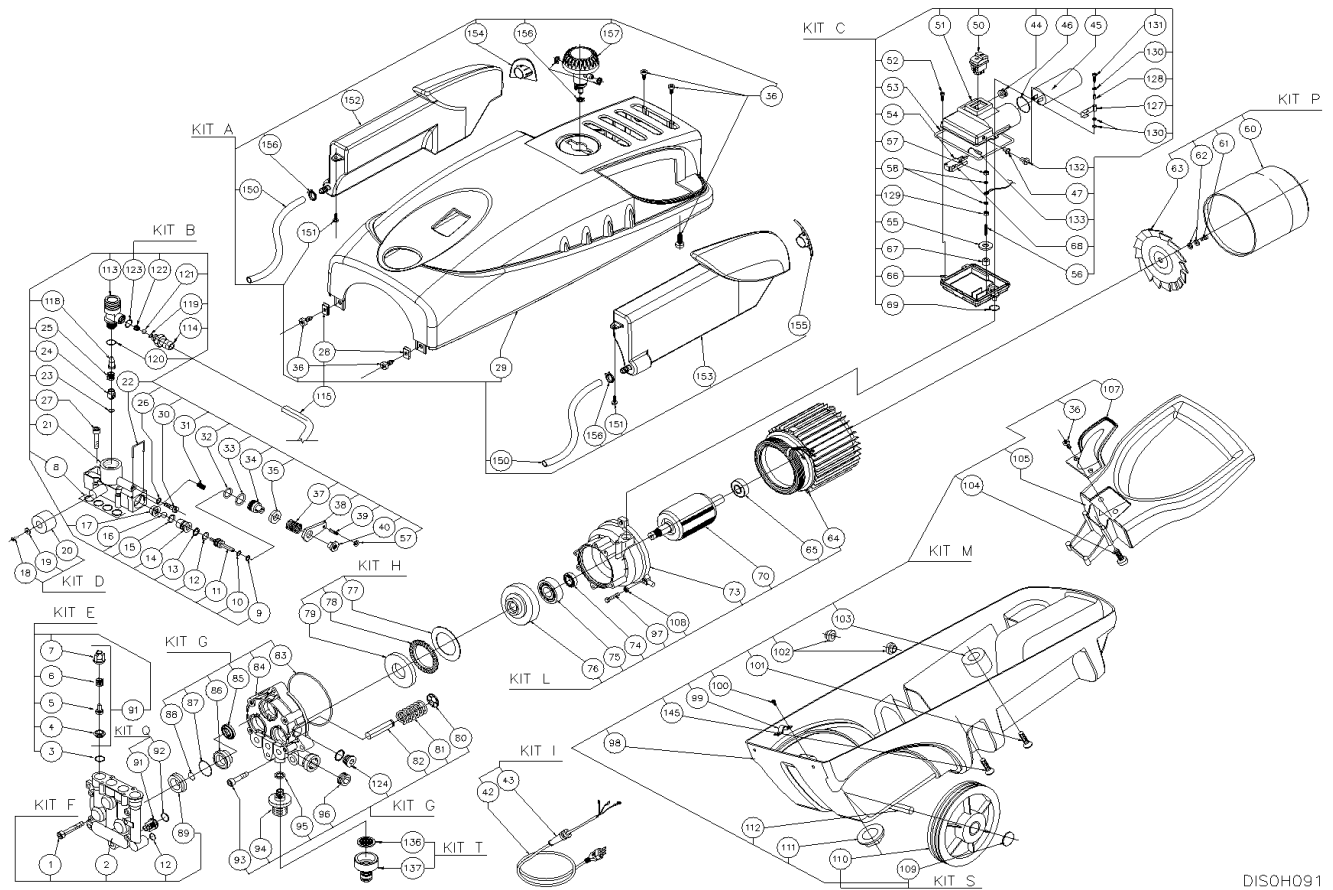
DISOH091

Ref.	K	Part N.	Customer Part N.	Description	Qty	Validity: From	To	Price
0084	E	MFVR92195		CRANKCASE RNF CT 12 S/SP 3/8G M6	1,00			--
0085	E	PVVR63545		OIL SEAL 12X 22X 4/6 -NBR70	3,00	05/2001		--
0086	E	PVVR92148		PACKING RETAIN.D. 12X 28 H13,7 S2	3,00			--
0087	E	GUGO19290		O-RING D. 23.52 X 1.78 NBR 70SH	3,00	10/1994		--
0088	E	GUGO19194		O-RING D. 11.11 X 1.78 NBR 70SH	3,00			--
0089	E	PVVR63543		PACKING D. 12 X22 X5	3,00			--
0091	E	VVAM41610		VALVE UNIT F 140/150 IP	6,00			--
0092	E	GUGO40192		O-RING D. 12 X 2 NBR 90SH	3,00			--
0093	E	VTVT01116		SCREW TCEI 6X30 UNI5931	3,00	05/2001		--
0094	E	MPVR84857		INTAKE CONNECT.H121 3/8-3/4 LG +GUARN.	1,00			--
0096	E	RCVR67288		OIL CAP 3/8+G TCNB-38	1,00			--
0097	E	VTVT63133		SCREW TSEI M 8X25 BR UNI5933	3,00			--
0098	E	MPVR81510		FRAME H130 HOBBY S2	1,00			--
0099	E	MPVR91818		CLAMP HOBBY	1,00			--
0100	E	VTVT62978		SCREW TCB TC 4,8X16 ZC	2,00	12/2001		--
0101	E	VTVT63135		SCREW M 8X 30 TSPEI	1,00	12/2001		--
0102	E	MPVR40150		BUSHING D. 20X12.5	2,00	12/2001		--
0103	E	MPVR93006		RUBBER D. 30 L=20.5 70SH A.VB.	1,00			--
0104	E	VTVT63114		SCREW TCB TC 5 X30 UNI 9707 BR	4,00	12/2001		--
0105	E	MPVR81644		HANDLE H130 HOBBY S2	1,00			--
0107	E	MPVR80139		HOSE REEL H110	1,00	12/2001		--
0108	E	VTRS63230		WASHER D. 4 X12	3,00			--
0109	E	MPVR60934		BLACK HUB CAP D.145 RES	2,00	12/2001		--
0110	E	RTRT60873		WHEEL D.145-D.10 SPEEDY	2,00	12/2001		--
0111	E	MEVR82513		LOCKNUT 3/4 NYL	1,00	12/2001		--
0112	E	LAFN81680		WHEELS AXLE H 120	1,00			--
0113	E	MFVR81524		CONNECTOR MAND. C/ASP.DET. H120	1,00			--
0114	E	RCDS92412		CONNECTOR ASP.DETERG.- H110 ALL	1,00			--
0115	E	TBBP93800		L.P. HOSE D. 6- 9	1,00			--
0118	E	UGEI40178		NOZZLE D. 1.8 HOBBY	1,00			--
0119	E	GUGO01062		O-RING D. 3.69 X 1.78 NBR 70SH	1,00			--
0120	E	GUGO01047		O-RING D. 11.91 X 2.62 NBR 70SH	1,00			--
0121	E	SFVR40173		BALL D. 3/16" AISI 420	1,00			--
0122	E	MLML40172		SPRING D. 3.5 h=12	1,00			--
0123	E	GUGO06988		O-RING D. 7.66 X 1.78 NBR 70SH	1,00			--
0124	E	RCVR67288		OIL CAP 3/8+G TCNB-38	1,00	05/2001		--
0127	E	LAFN82461		TRIGGER MICRO TS	1,00			--
0128	E	RCDS82462		BUSHING LEVA COMANDO MICRO	1,00	07/2001		--
0129	E	VTDD63175		NUT M 5 FL.	1,00	06/2001		--



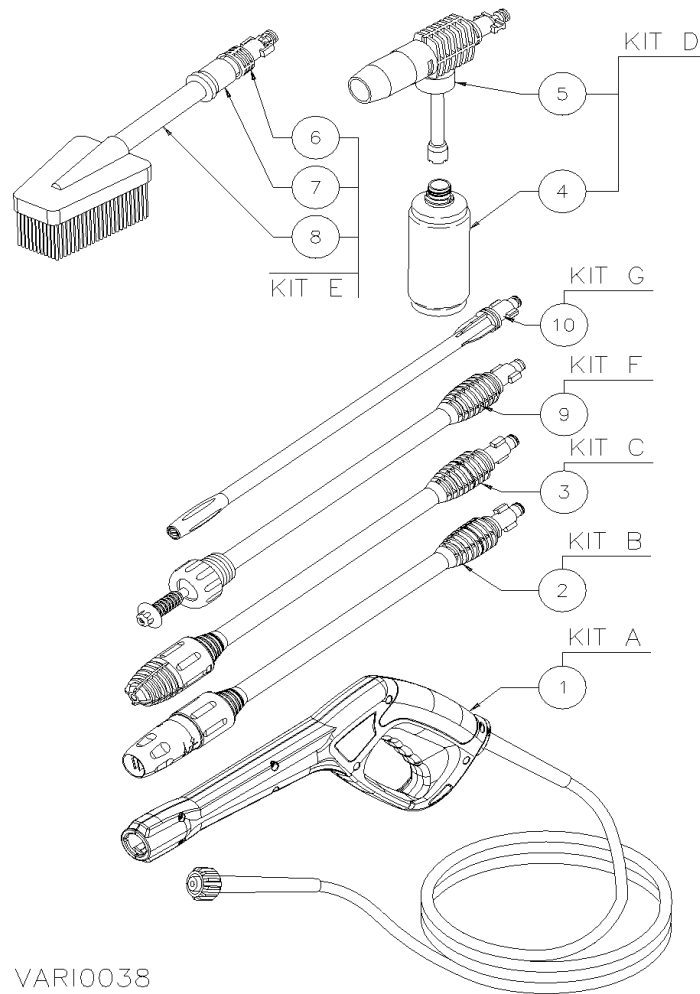
DISOH091

Ref.	K	Part N.	Customer Part N.	Description	Qty	Validity:		Price
						From	To	
0130	E	VTRS63230		WASHER D. 4 X12	3,00	07/2001	--	--
0131	E	VTVT63001		SCREW TRU TC CR. 4 X30 ZINC.	1,00	07/2001	--	--
0132	E	MPVR93810		GUDGEON MICRO 5X13,5 PL S2	1,00		--	--
0133	E	MECB64203		CABLE ASS. INTERR./MICRO	1,00		--	--
0136	E	FTAC92422		WATER FILTER ASS. MTPV2000	1,00		--	--
0137	E	RCVR90242		SOCKET 3433 BK.	1,00		--	--
0145	E	VTVT63133		SCREW TSEI M 8X25 BR UNI5933	1,00	09/2002	--	--
0150	E	TBBP93800		L.P. HOSE D. 6- 9	0,70		--	--
0151	E	VTVT85143		SCREW AF 4X 16 UNI 6954-71 ZN.N	2,00		--	--
0152	E	MPVR90888		TANK H120 KIT C/S V2 CTC SX	1,00		--	--
0153	E	MPVR90887		TANK H120 KIT C/S V2 CTC DX	1,00		--	--
0154	E	MPVR90958		TANK CAP H120 KIT C/S V2 CTC SX	1,00		--	--
0155	E	MPVR90957		TANK CAP H120 KIT C/S V2 CTC DX	1,00		--	--
0156	E	FSVR72803		CLAMP D 9.3 - 9.9	5,00		--	--
0157	E	RCGR90834		TAP CERA/SAPONE 3 VIE SIMONIZ	1,00		--	--



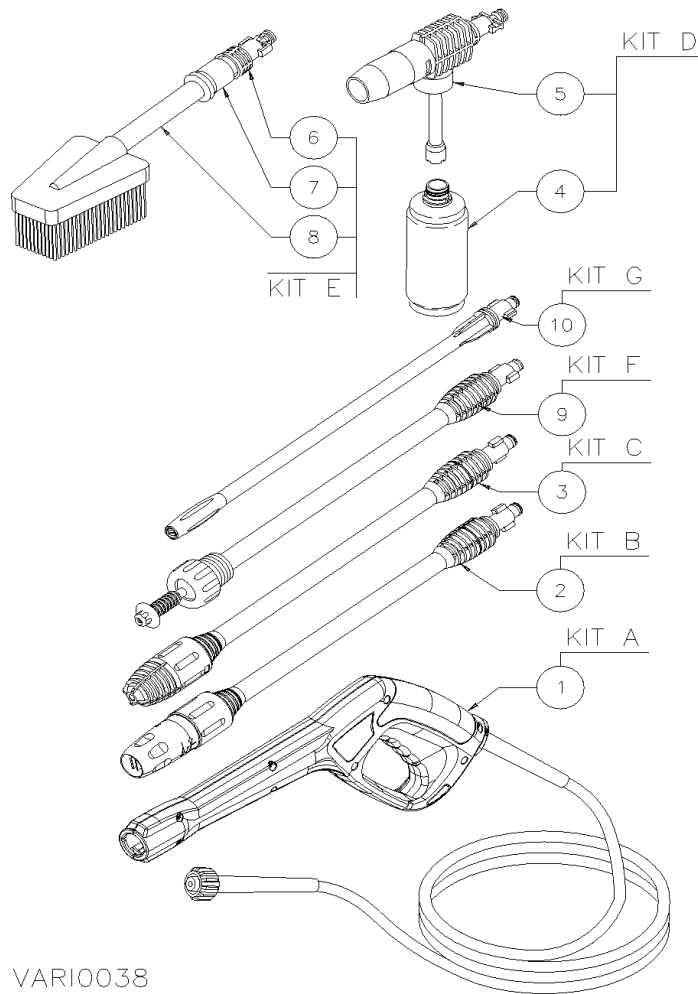
DISOH091

Ref. Part N.	Cust. Part N.	Description	Reference	Price
K A	KTRI92165	RED COVER KIT F 24-023 H120 "KV2"	0028 0029 0036 0115 0150 0151 0152 0153 0154 0155 0156 0157	--
K B	KTRI84946	MANIFOLD KIT 971 (5 PZ)	0009 0010 0011 0012 0013 0014 0015 0016 0017 0021 0022 0023 0024 0025 0026 0027 0030 0031 0032 0033 0034 0035 0037 0038 0039 0040 0057 0113 0114 0118 0119 0120 0121 0122 0123	--
K C	KTRI82833	CONTROL BOARD KIT 572 AQK 1300 (2 PZ)	0044 0045 0046 0047 0050 0051 0052 0053 0054 0055 0056 0057 0058 0066 0067 0068 0069 0127 0128 0130 0131 0132	--
K D	KTRI82831	FOOT KIT 570 (5 PZ)	0018 0019 0020	--
K E	KTRI82808	SMALL VALVE KIT 558 (30 PZ)	0003 0004 0005 0006 0007 0091	--
K F	KTRI82809	HEAD KIT 559 (5 PZ)	0001 0002 0012 0089	--
K G	KTRI82832	CRANKCASE KIT 571 (5 PZ)	0080 0081 0082 0083 0084 0085 0086 0087 0088 0093 0094 0095 0096 0124	--
K H	KTRI82812	ROLLER BEAR.DISKIT 562 (10 PZ)	0077 0078 0079	--
K I	KTRI83607	CABLE KIT 699 AQK1300EU (1 PZ)	0042 0043	--
K L	KTRI82836	MOTOR KIT 575 AQK1300 230(1 PZ)	0064 0065 0070 0073 0074 0075 0076 0097 0108	--
K M	KTRI83210	FRAME KIT 618 H130 (1 PZ)	0036 0098 0099 0100 0101 0102 0103 0104 0105 0107 0109 0110 0111 0112	--
K P	KTRI82834	CONVEYOR KIT 573 (1 PZ)	0060 0061 0062 0063	--
K S	KTRI82912	WHEEL KIT 579 (2 PZ)	0109 0110	--
K T	KTRI82810	QUICK SOCKET KIT 560 (20 PZ)	0136 0137	--



VARI0038

Ref.	K	Part N.	Customer Part N.	Description	Qty	Validity:		Price
						From	To	
0001	E	IPPR93074		GUN P2005 OT150 7MT TRS 140	1,00			--
0002	E	LCTE90355		LANCE MRG P2004 1,20	1,00			--
0003	E	LCTE90365		LANCE TRB P2004 1,10	1,00			--



VARI0038

Ref. Part N.	Cust. Part N.	Description	Reference	Price
K A	KTRI91612	GUN KIT F 26-002 P2006+7M-1PZ	0001	--
K B	KTRI92352	LANCE KIT F31-023 MRG 1,20(1PZ)	0003	--
K C	KTRI91616	LANCE KIT F31-006 TRB 1,10(1PZ)	0003	--