



IPC Integrated Professional Cleaning

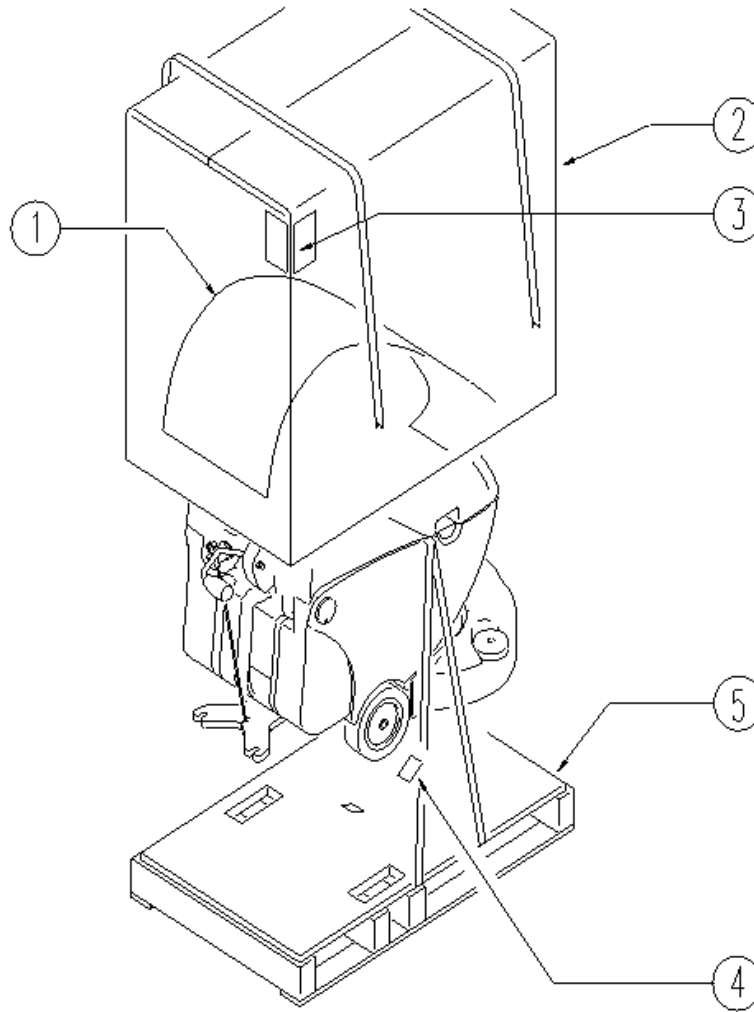
IPCPortotecnica

Spare Parts List

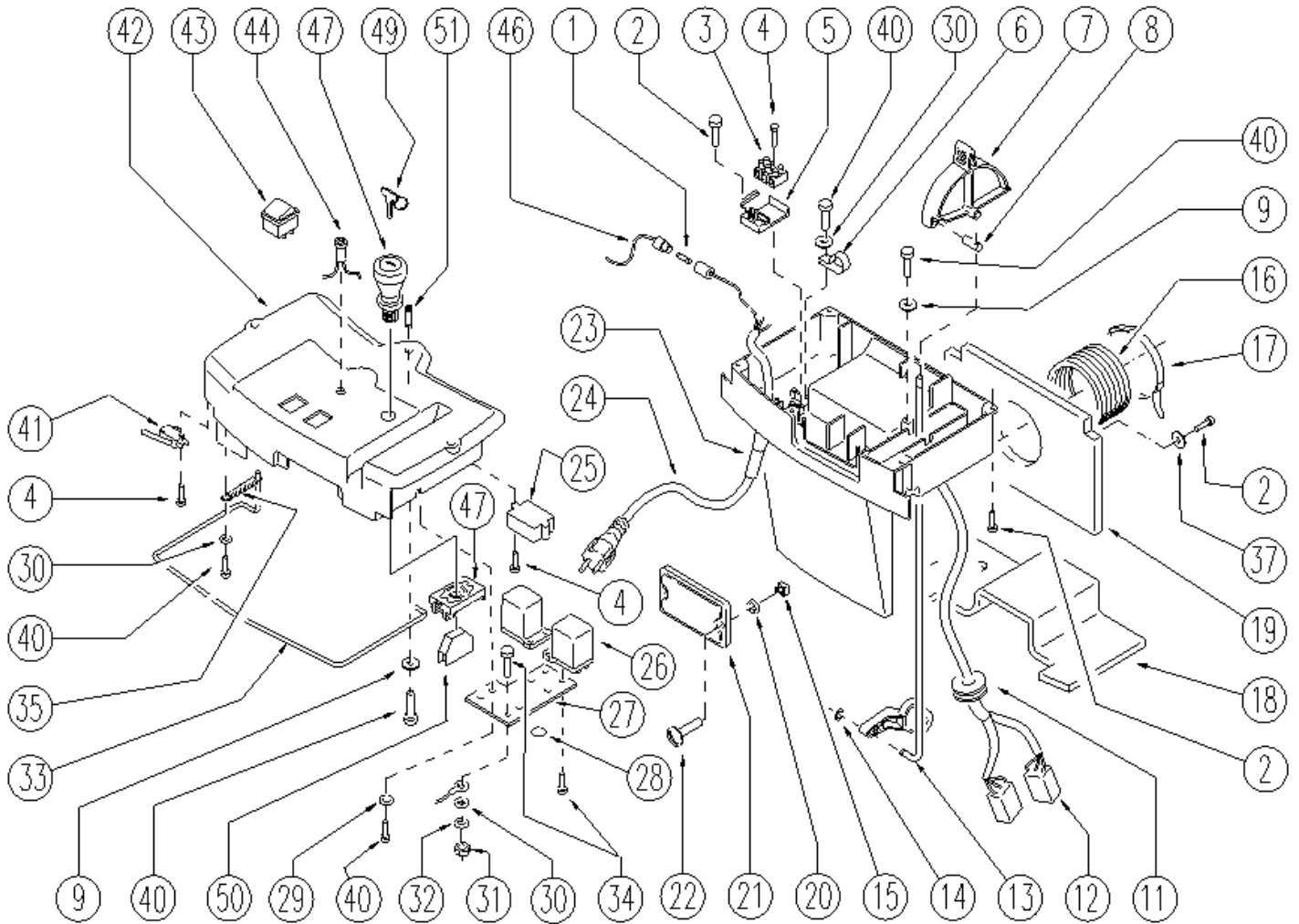
PORTOTECNICA

Ref: LPTE01041

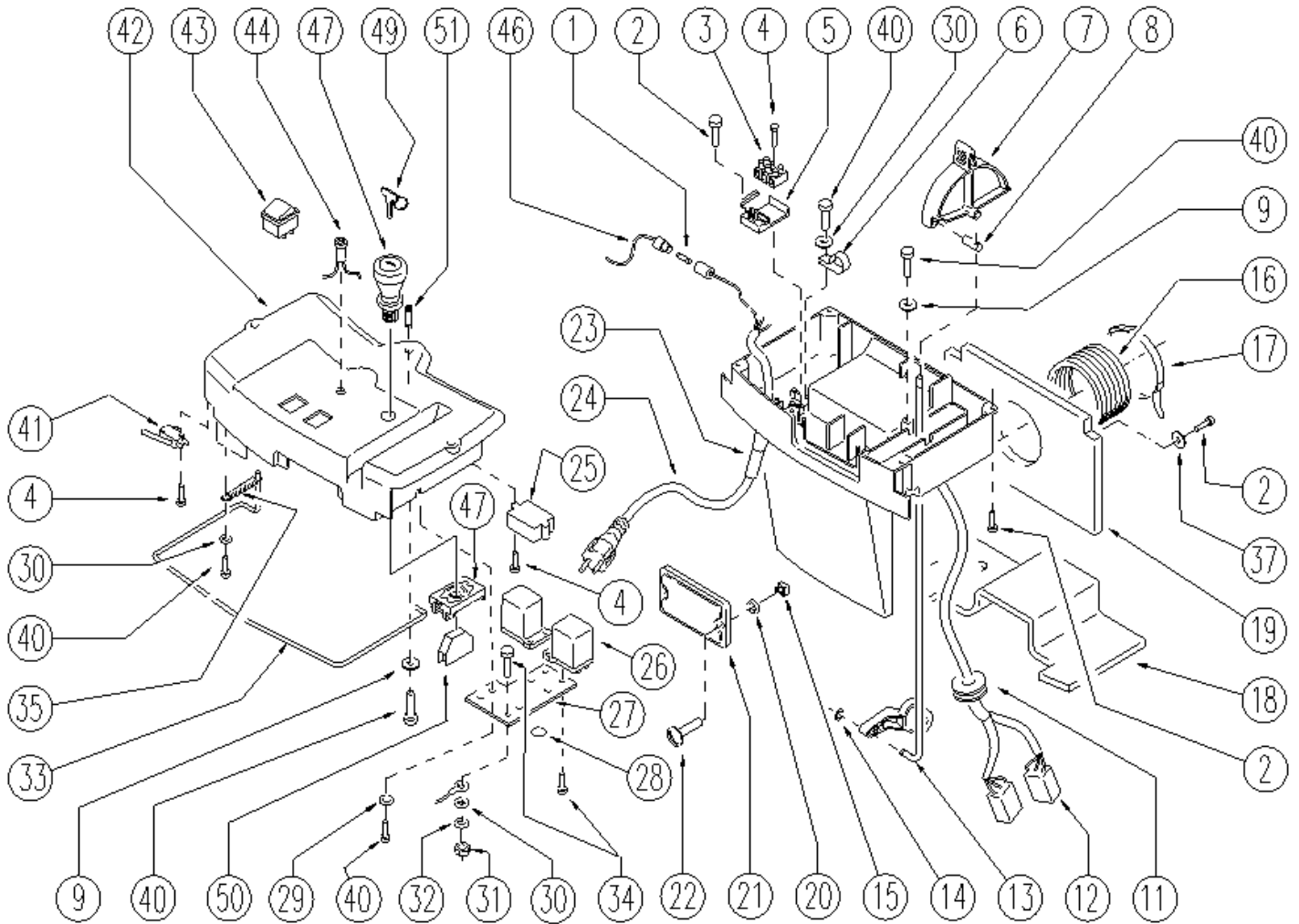
Model: LAVAPAV LAVAMATIC E503 230/50 3-01PRT



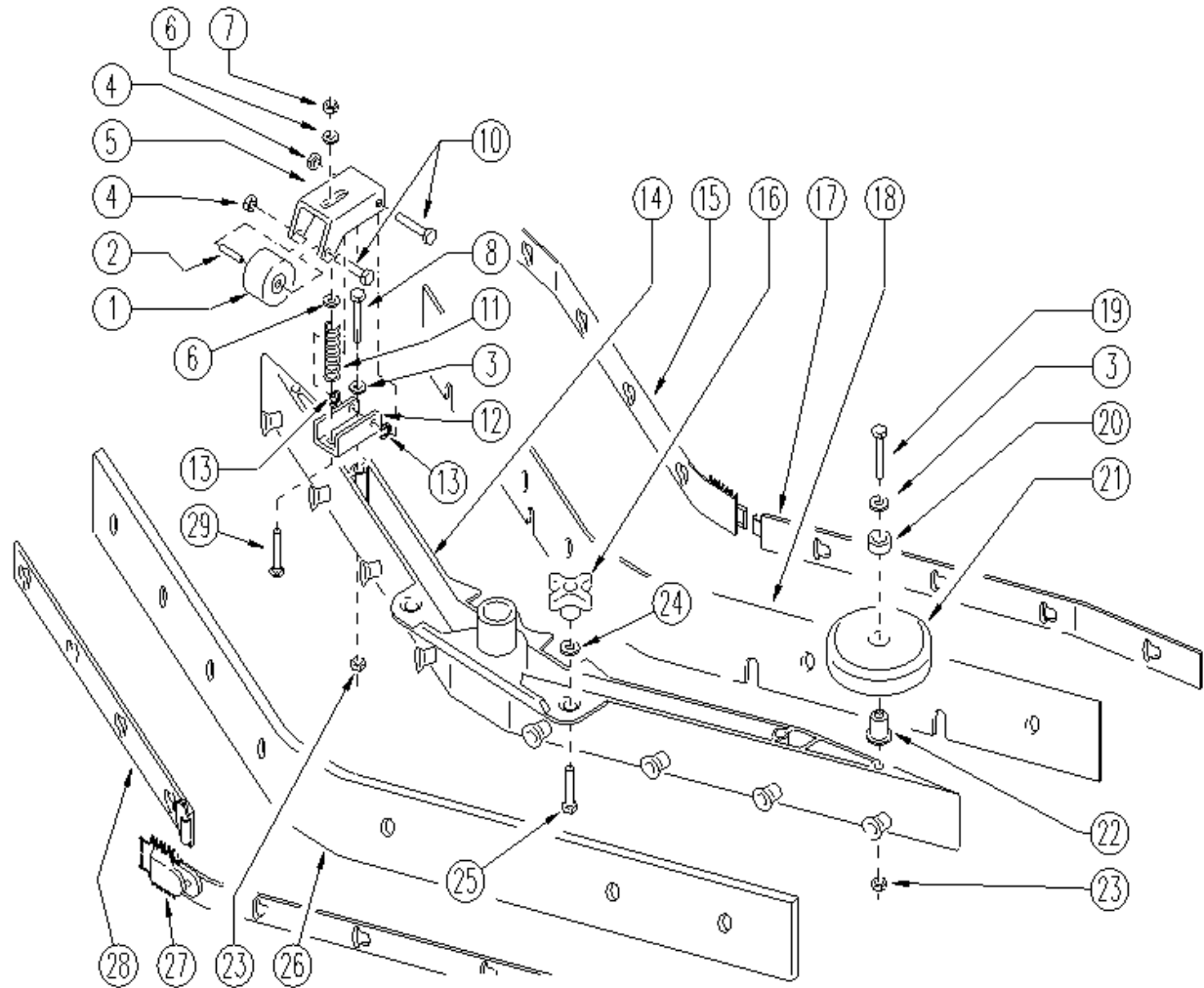
Ref. K	Part N.	Customer Part N.	Description	Qty	Validity:		Price
					From	To	
0001	MISC00006		SACK 1690X1400 POLIET.70MY	1,00	10/2002		--
0002	MICT00145		CARTON IMBALLO NEUTRO	1,00	10/2002		--
0003	ETET00959		LABEL IMBALLAGGIO	2,00			--
0004	MICT00118		CARTON PER RUOTE 450/530	4,00	10/2002		--
0005	MIBA00074		PALLET	1,00	10/2002		--



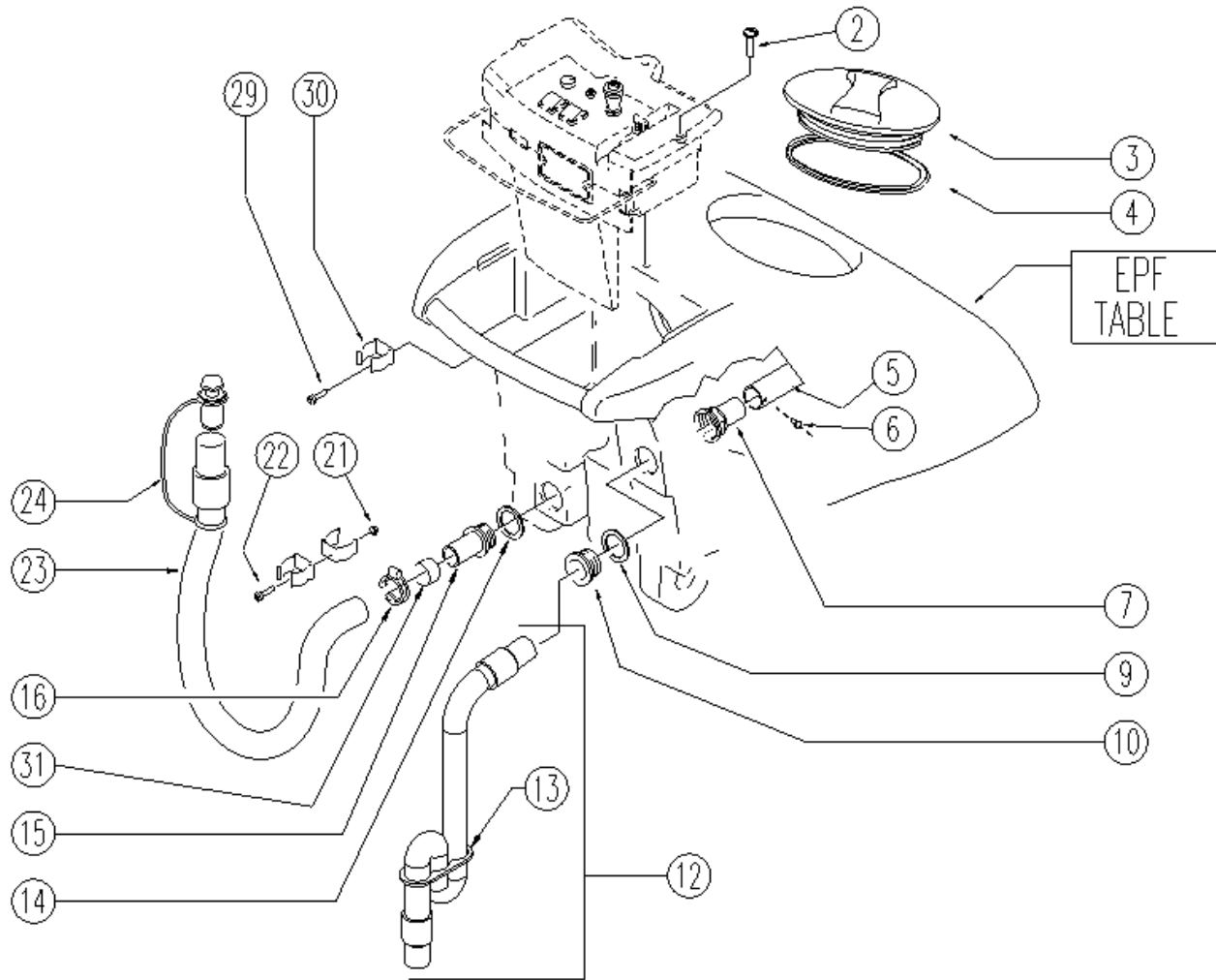
Ref.	K	Part N.	Customer Part N.	Description	Qty	Validity:		Price
						From	To	
0001		MEVR01402		FUSE 5AX20	1,00	11/2003	--	--
0002		VTVT28553		SCREW TCB-TC 3.5X16	8,00	11/2003	--	--
0003		MEVR01110		TERMINAL BOARD 3 POS PA27	1,00		--	--
0004		VTVT00744		SCREW	6,00	11/2003	--	--
0005		MEVR01111		BOARD HOLDER	1,00	11/2003	--	--
0006		MPVR02933		DUCT LOCK D.9,5	1,00	11/2003	--	--
0007		MPVR03845		LEVER REGOLAZ.	1,00	11/2003	--	--
0008		LAFN05103		ARTICULATION SUPERIORE	1,00	11/2003	--	--
0009		VTRS15958		WASHER D. 5 X15 UNI 6593	3,00	11/2003	--	--
0010		MPVR03844		PANEL COMANDI	1,00		--	--
0011		MEVR01311		FAIR-LEAD PVC	1,00	11/2003	--	--
0012		MECB00762		WIRING	1,00	11/2003	--	--
0013		LAFN05758		ROD SUPERIORE RUBINETTO	1,00		--	--
0014		VTAE00058		CIRCLIP RADIALE ALBERI D5 INOX	1,00		--	--
0015		VTDD00167		NUT M.6	2,00	11/2003	--	--
0016		TBBP00225		TUBE D 80-320 MM	1,00		--	--
0017		FSVR00083		CLAMP 62-82	1,00		--	--
0018		ITSO00032		SOUND-PROOFING PARETE INFER.PANN.COM.SK	1,00	11/2003	--	--
0019		ITSO00031		SOUND-PROOFING PARETE POST. PANN.COM.SK	1,00	11/2003	--	--
0020		GUGO00150		NUT	4,00	11/2003	--	--
0021		MPVR35628		COVER LAV.	1,00	12/2003	--	--
0022		VTVT00858		SCREW	2,00	11/2003	--	--
0023		MEVR01089		FAIR-LEAD SZ G	1,00	11/2003	--	--
0024		MECB00763		CABLE ALIMENTAZIONE	1,00	11/2003	--	--
0025		MECE31132		FILTER LC LAVAM. FL.	1,00	11/2003	--	--
0026		MERL48876		SWITCH RELAY FIND 250V AC1 62.82	2,00	11/2003	--	--
0027		LAFN48877		BRACKET RELE' FIND. SHK	1,00	11/2003	--	--
0028		ETET00762		ADHESIVE SIMBOLO TERRA	1,00	11/2003	--	--
0029		VTRS21116		WASHER D. 3 INX	2,00	11/2003	--	--
0030		VTRS00515		WASHER D. 4 INX	4,00	11/2003	--	--
0031		VTDD00147		NUT M 4 INX U.5588	2,00	11/2003	--	--
0032		VTRS00252		WASHER D.4 INOX A2	2,00	11/2003	--	--
0033		LAFN05089		LEVER CONSENSO SPAZZOLE/TRAZ.	1,00	11/2003	--	--
0034		VTVT21096		SCREW TE M 4X 10 INX	6,00	11/2003	--	--
0035		MLML00215		SPRING LEVA CONSENSO SPAZZOLE	1,00	11/2003	--	--
0037		VTRS00291		WASHER D. 5 X20 ZC UNI 6593	2,00	03/2004	--	--
0040		VTVT00820		SCREW TC+ M.3,5-10	6,00	11/2003	--	--
0041		MECI00310		MICROSWITCH	1,00	11/2003	--	--
0042		MPVR03840		PANEL COMANDI	1,00	11/2003	--	--



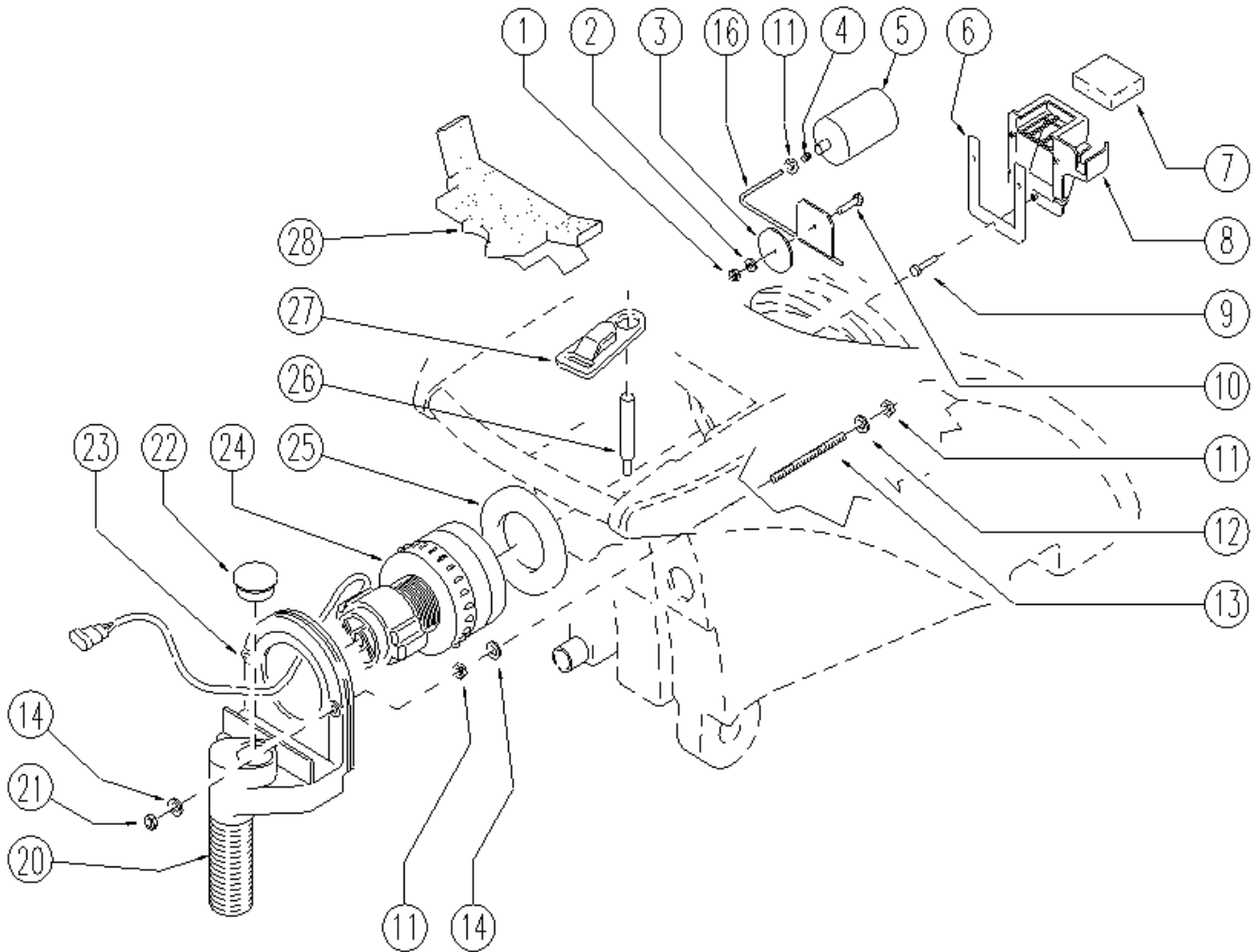
Ref. K	Part N.	Customer Part N.	Description	Qty	Validity:		Price
					From	To	
0043	MECI30639		SWITCH 250V GLL.	2,00	11/2003	--	--
0044	MELF30641		LAMP 220V B.	1,00	11/2003	--	--
0046	MEVR01401		FUSE CARRIER VOLANTE OMEGA	1,00	11/2003	--	--
0047	MECI00323		BUTTON FUNGO	1,00		--	--
0049	CHVR00051		DIASASS.SPANNERPULSANTE FUNGO	1,00		--	--
0050	MECI00403		CONTACT -	2,00		--	--
0051	MPVR02940		KLIP D. 6,5 L=15	1,00	11/2003	--	--



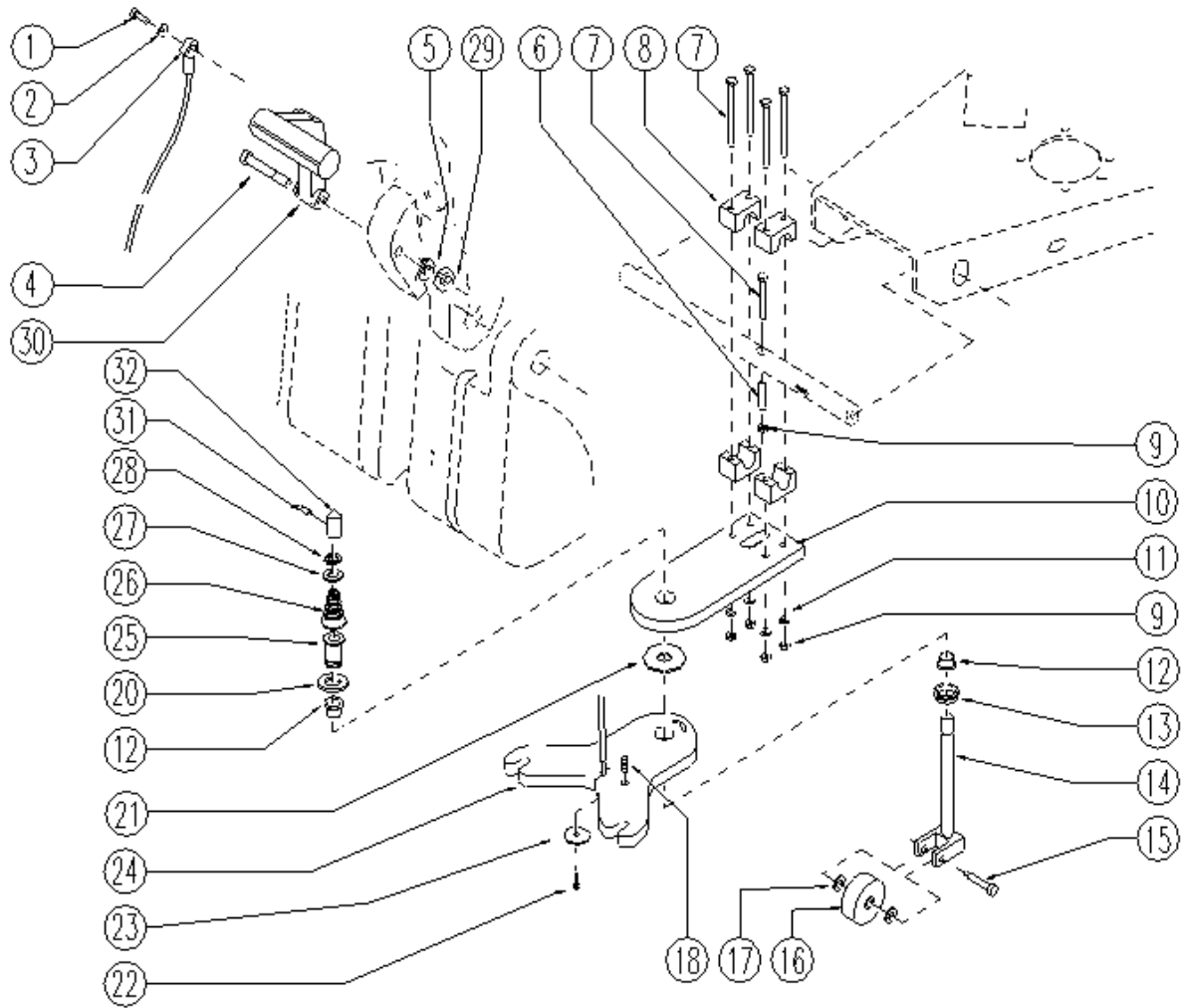
Ref. K	Part N.	Customer Part N.	Description	Qty	Validity:		Price
					From	To	
0001	RTRT49413		WHEEL D. 60-D.15 X36 NYL.	2,00	03/2004		--
0002	LAFN04041		SPACER D6/15	2,00	03/2004		--
0003	VTRS00245		WASHER D.6 UNI 6592 INOX	12,00	03/2004	05/2006	--
0003	VTRS15144		WASHER D. 6 INX GRW UNI 1751	4,00	05/2006		--
0004	VTDD01694		NUT M 6 INX	6,00	03/2004		--
0005	LAFN05559		SUPPORT RUOTINO	2,00	03/2004		--
0006	VTRS13947		WASHER D. 8 INX UNI 6592	4,00	03/2004		--
0007	VTDD01695		NUT M 8 INX	2,00	03/2004		--
0008	VTVT15142		SCREW TE M 6x45 INOX	2,00	03/2004		--
0009	VTRS15144		WASHER D. 6 INX GRW UNI 1751	4,00	03/2004	05/2006	--
0010	VTVT15143		SCREW TE 6X16 UNI5739	4,00	03/2004	05/2006	--
0010	VTVT15515		SCREW TE M 6X 50 INOX A2	4,00	05/2006		--
0011	MLML49422		SPRING D.15X 45 X1	2,00			--
0012	LAFN51069		BRACKET SUPP.RUOTINO SQUEEGEE	2,00			--
0013	VTAE45707		CIRCLIP D. 6 UNI 7434 INOX	4,00			--
0014	MFVR00141		BODY SQUEEGEE PRESSOFUSO "S"	1,00	03/2004		--
0015	LAFN51045		LAMINATION BLOCCA LAMA ANTER.SX S	1,00	03/2004		--
0016	MPVR04164		HANDWHEEL M8 FILETTO PASSANTE	2,00	03/2004		--
0017	LAFN51044		LAMINATION BLOCCA LAMA ANTER.DX S	1,00	03/2004		--
0018	MPVR45194		RUBBER BLADE LAV. 800 ANT.	1,00	03/2004		--
0019	VTVT00655		SCREW TE M. 6-55	2,00			--
0020	MPVR49229		BUSHING SHK	2,00	03/2004		--
0021	RTRT43370		CASTER D.100 2V.	2,00	03/2004		--
0022	LAFN04100		SPACER PER RUOTINO PARACOLPI	2,00	03/2004		--
0023	VTDD15520		NUT M 6 A2 UNI 5588 INX	4,00	03/2004		--
0024	VTAE00074		CIRCLIP D8	2,00	03/2004		--
0025	VTVT01050		SCREW TE M 8X30 INX UNI 5737	2,00	06/2004		--
0026	MPVR45195		RUBBER BLADE LAV. 800 PST.POL.	1,00	03/2004		--
0027	LAFN49284		BLADE HOLDER POSTERIORE DX (S)	1,00	03/2004		--
0028	LAFN49285		BLADE HOLDER POSTERIORE SX (S)	1,00	03/2004		--
0029	VTVT01304		SCREW M 8X 40 TTQST UNI 5731	2,00	05/2006		--



Ref. K	Part N.	Customer Part N.	Description	Qty	Validity:		Price
					From	To	
0002	VTVT00858		SCREW	2,00			--
0003	MPVR04051		TANK CAP	1,00			--
0004	GUGO00263		GASKET CIRCOLARE TAPPO	1,00			--
0005	MPVR02873		TUBE INT.SERBAT.RECUP.	1,00			--
0006	VTVT00881		SCREW TC+ M4x6 TRILOBATA INOX	1,00			--
0007	RCVR00504		CONNECTOR DRITTO FEMM.	1,00			--
0009	GUGO00216		GASKET ACQUA SPORCA	1,00			--
0010	RCVR00508		PIPE UNION DI SCARICO	1,00			--
0012	PMVR01043		TUBE ASPIRAZIONE	1,00			--
0013	MPVR02730		PLATE SIFONE	1,00			--
0014	GUGO00226		GASKET 1"1/4	1,00			--
0015	RCVR00505		CONNECTOR DRITTO	1,00			--
0016	FSVR43136		CLAMP D. 35-40 DF.	1,00			--
0021	VTDD00147		NUT M 4 INX U.5588	2,00			--
0022	VTVT21096		SCREW TE M 4X 10 INX	2,00			--
0023	TBFX49465		TUBE FLEX D.34 CPL.SHK SC.	1,00			--
0024	MPVR05064		CAP COMPLETO	1,00			--
0029	VTVT48694		SCREW TCB TC 5 X12 UNI 9707 TZ	2,00			--
0030	MPVR46988		CLIP LAV. SHK	3,00			--
0031	MPVR02765		PROTECTION INNESTO FISSAGGIO	1,00			--



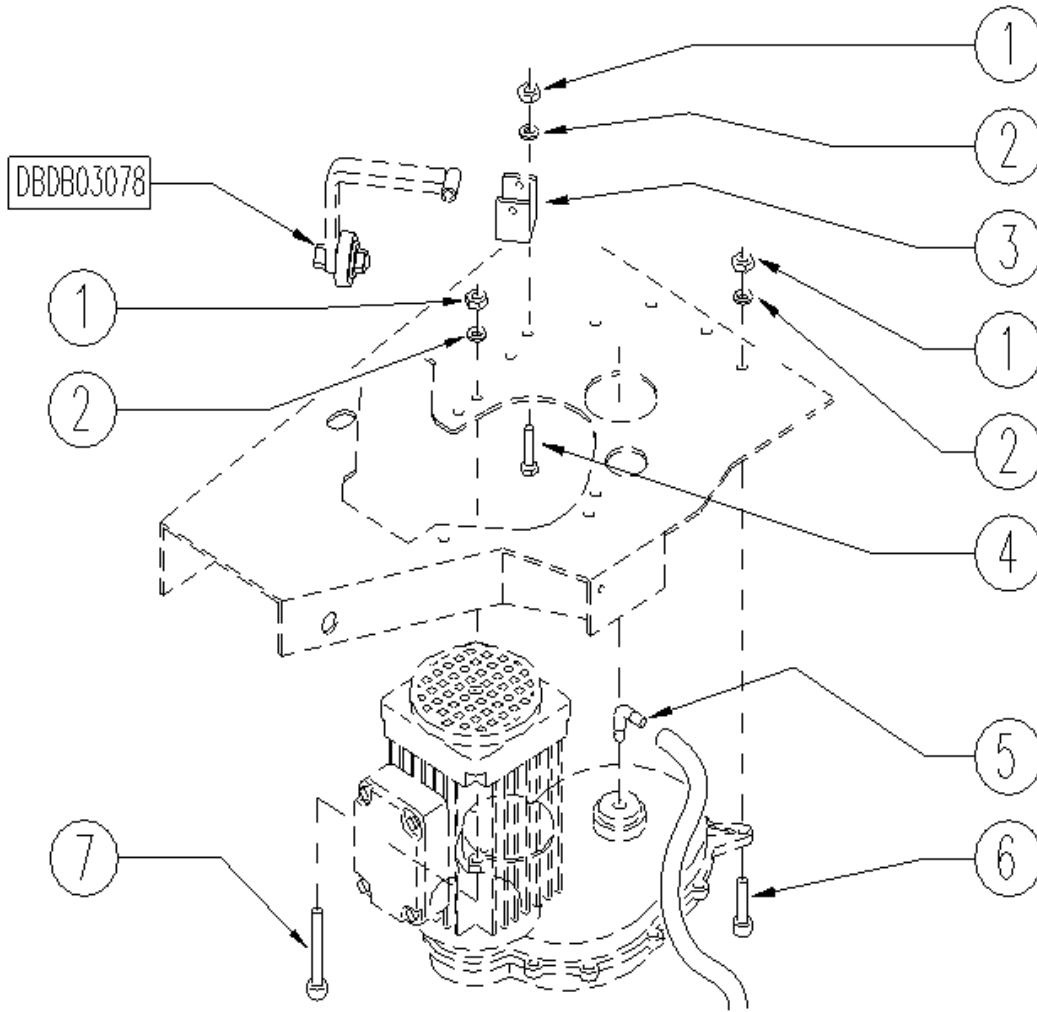
Ref. K	Part N.	Customer Part N.	Description	Qty	Validity:		Price
					From	To	
0001	VTDD01693		NUT M 5 INX	1,00	10/2002	--	--
0002	VTRS13750		WASHER D. 5X14 INX	1,00	10/2002	--	--
0003	MPVR02702		CAP ASPIRAZIONE	1,00	10/2002	--	--
0004	VTVR00212		INSERT	1,00	10/2002	--	--
0005	RCGR00064		FLOATER	1,00	10/2002	--	--
0006	GUGO00221		GASKET SUPPORTO GALLEGGIANTE	1,00	10/2002	--	--
0007	FTAC47474		FILTER SHK	1,00	10/2002	--	--
0008	MPVR03846		SUPPORT GALLEGGIANTE	1,00	10/2002	--	--
0009	VTVT00835		SCREW	3,00	02/2003	--	--
0010	VTVT00805		SCREW TBEI M. 5-10	1,00	10/2002	--	--
0011	VTDD15520		NUT M 6 A2 UNI 5588 INX	5,00	10/2002	--	--
0012	VTRS16937		WASHER 6x24 INOX UNI 6593	2,00	10/2002	--	--
0013	VTVT00785		ROD FILETTO	2,00	10/2002	--	--
0014	VTRS00245		WASHER D.6 UNI 6592 INOX	4,00	10/2002	--	--
0016	LAFN05118		ROD GALLEGGIANTE	1,00	10/2002	--	--
0020	TBFX00249		TUBE SCARICO	1,00	10/2002	--	--
0021	VTDD15518		NUT M 6 INX	2,00	10/2002	--	--
0022	MPVR02968		CAP	1,00	10/2002	--	--
0023	MPVR02683		COWLING MOTORE ASPIRAZIONE	1,00	10/2002	--	--
0024	MOMO00184		MOTOR ASPIR.TRIS.CPL 650W	1,00	10/2002	--	--
0025	GUGO31051		GASKET LAV.	1,00	10/2002	--	--
0026	LAFN04116		PIN ANTISTRAPPO	1,00	10/2002	--	--
0027	MEVR01252		CUT PREVENTER CAVO ELETTRICO TIPO 500	1,00	10/2002	--	--
0028	MPVR51075		GASKET ASPIRATORE	1,00	03/2004	--	--



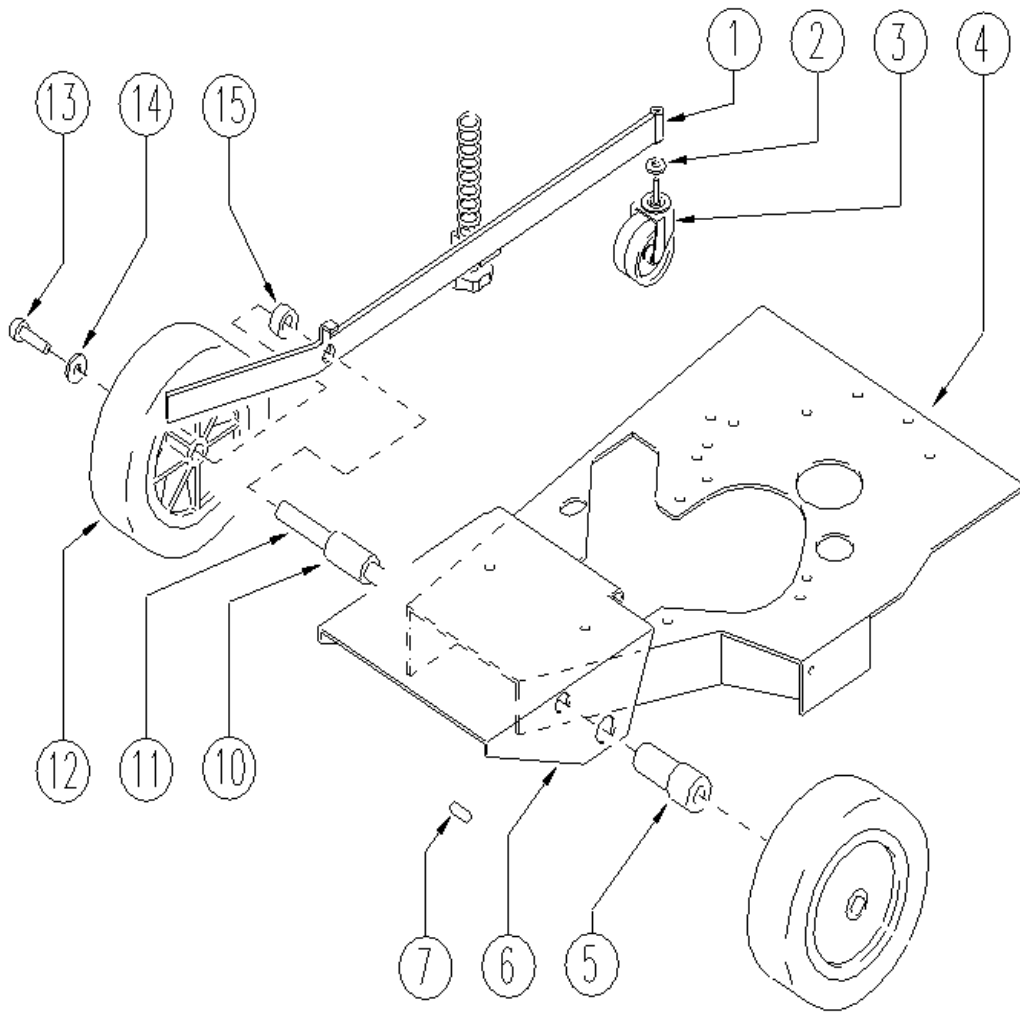
Ref. K	Part N.	Customer Part N.	Description	Qty	Validity:		Price
					From	To	
0001	VTVT00800		SCREW TC 4X12 ZN	1,00	10/2002		--
0002	VTRS00251		WASHER 4-16 INOX A2	1,00	10/2002		--
0003	CMCV00307		CABLE SOLLEVAMENTO SQUEEGEE	1,00	04/2004		--
0004	VTVT00882		SCREW TCEI BASSA M10x80 8.8 ZN	1,00	10/2002		--
0005	VTRS00236		WASHER D.10 UNI 6592 ZINC. PIANA	1,00	10/2002		--
0006	LAFN31096		WHEEL SPACER FL	1,00	10/2002		--
0007	VTVT00859		SCREW TCEI M. 6-55 INOX	5,00	10/2002		--
0008	MPVR02903		HOSE COLLAR DI= 20.8 ART.C4	4,00	10/2002		--
0009	VTDD00157		NUT M. 6 DIN 985 ZN	5,00	10/2002		--
0010	LAFN05557		SUPPORT SQUEEGEE	1,00	10/2002		--
0011	VTRS00231		WASHER D. 6 UNI 6592 PIANA ZINC.	4,00	10/2002		--
0012	CUVR44348		BUSHING CB 85 2010 31T	2,00	10/2002		--
0013	LAFN06820		RING NUT M20X1 ABL	1,00	07/2004		--
0014	LAFN05702		SUPPORT RUOTINO ANTIRIBALTAMENTO	1,00	10/2002		--
0015	LAFN04165		PIN RUOTINO ANTIRIB. INOX	1,00	04/2003		--
0016	RTRT00283		SMALL WHEEL GR.HS	1,00	10/2002		--
0017	VTRS13946		WASHER D. 8 X24 INX UNI 6593	2,00	10/2002		--
0018	VTVT01200		GRUB SCREW M8 X 16 INOX	1,00	04/2004		--
0020	VTRS00019		WASHER UNI 6592 FORO 20 INOX	1,00	03/2004		--
0021	VTRS00308		WASHER NYLON 21x50xSP3 MM	1,00	05/2004		--
0022	VTVT00813		SCREW M 4X 8 TCB-TC UNI 8112	1,00	10/2002		--
0023	VTRS00291		WASHER D. 5 X20 ZC UNI 6593	1,00	10/2002		--
0024	LAFN05544		PLATE SQUEEGEE	1,00	10/2002		--
0025	LAFN44530		PIN SHK SQ.	1,00	10/2002		--
0026	MLML44531		SPRING D.16 -33 X50 RT.	1,00	10/2002		--
0027	VTRS00312		WASHER D.13 x24 INOX	1,00	10/2002		--
0028	VTAE00051		CIRCLIP X ALBERO D. 12 U7435 INX	1,00	10/2002		--
0029	VTDD00042		NUT AUT.M10 UNI7474	1,00	10/2002		--
0030	MPVR49942		LEVER SHK PP	1,00	10/2002		--
0031	VTVT00906		GRUB SCREW M 4-4	1,00	04/2004		--
0032	LAFN04069		EXTENSION	1,00	04/2004		--



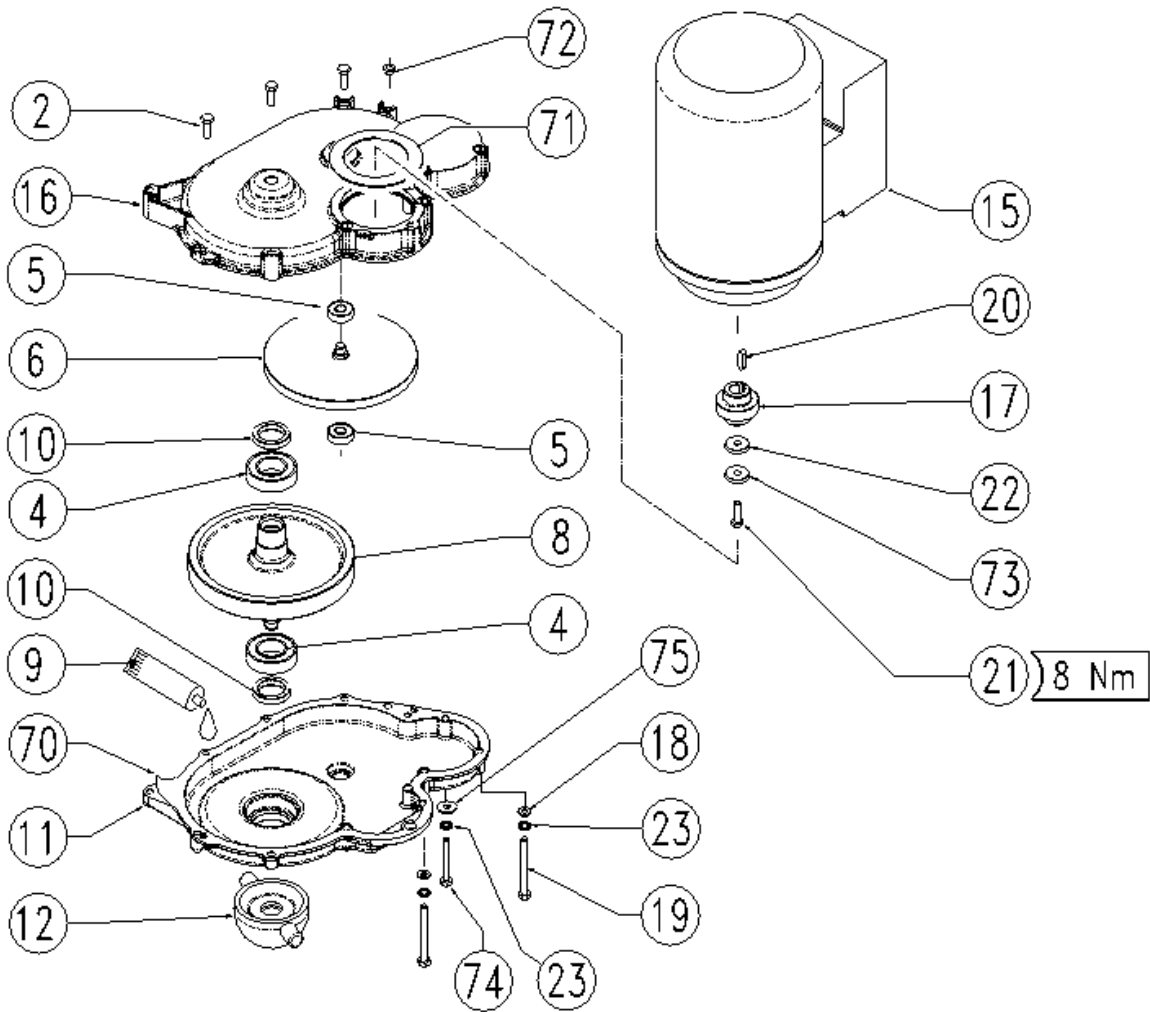
Ref.	K	Part N.	Customer Part N.	Description	Qty	Validity: From To	Price
0001		VTVT00775		SCREW TCEI M 8X40 ZC.BK UNI5931	1,00	10/2002	--
0002		LAFN03915		BUSHING NUOVO RUOTINO STRONG	1,00	10/2002	--
0003		RTRT43370		CASTER D.100 2V.	1,00	10/2002	--
0004		VTRS13946		WASHER D. 8 X24 INX UNI 6593	4,00	10/2002	--
0005		VTDD01695		NUT M 8 INX	3,00	10/2002	--
0007		VTVT63035		SCREW TCEI M8X25 BRUNITA	1,00	03/2004	--
0008		VTRS13947		WASHER D. 8 INX UNI 6592	1,00	10/2002	--
0009		LAFN05185		SMALL SQUARE FISSAGGIO MOLLA TESTATA	1,00	10/2002	--
0010		RCDS34717		BUSHING D. 9X12X 8.3	1,00		--
0011		VTVT00836		SCREW TE M12-60 INOX	1,00	10/2002	--
0012		LAFN05620		LEVER ARM RUOTINO ALTO	1,00	10/2002	--
0013		MLML00152		SPRING F.1.5-D.16-L.50 TRA	1,00	10/2002	--
0014		VTVT15917		SCREW TE M 8X50 INOX A2 UNI	1,00	02/2003	--
0015		VTDD00131		NUT M.12 AUT. DIN 982 ZINC	1,00	10/2002	--
0016		VTRS00273		WASHER D.13-24-2,5 Z. NERA	2,00	10/2002	--
0017		RTRT49171		CASTER D. 80-12	1,00	10/2002	--
0018		VTVT00890		SCREW TC+ M.4-40	2,00		--
0019		LAFN35608		SPACER S. BLOCK BT 530	2,00		--
0020		VTRS88000		WASHER ELAST.ONDUL.DI 13	1,00	12/2003	--
0021		VTRS00232		WASHER D.12 UNI 6592 ZINC.	2,00	12/2003	--
0022		LAGR00017		WASHER ZIGRINATA M.8	1,00	03/2004	--
0023		VTVR00297		BAR FILETTATA M.8	1,00	03/2004	--
0024		VTRS00255		WASHER D. 12-18-0,5	1,00	03/2004	--
0025		RCDS31040		BUSHING D. 8X 12X13	1,00	12/2003	--
0026		VTRS01080		WASHER D. 8 GRW	1,00	12/2003	--
0027		VTDD15521		NUT M 8 INX A2 UNI 5588	1,00	12/2003	--
0028		LAFN04193		BUSHING MOLLA	1,00	12/2003	--
0029		MLML00249		SPRING A COMPRESS. RIF.D13250	1,00	12/2003	--
0030		MPVR04139		RUBBER PEDALINO	1,00	10/2002	--
0031		LAFN05688		ROD COMANDO RUOTINO	1,00	10/2002	--
0032		MLML00201		SPRING TRAZ.PER GIUNTO	1,00	10/2002	--
0033		LAFN05530		LEVER SOLLEVAMENTO	1,00	10/2002	--
0034		VTDD00157		NUT M. 6 DIN 985 ZN	2,00		--
0035		VTRS00245		WASHER D.6 UNI 6592 INOX	2,00	10/2002	--
0036		LAFN05689		BRACKET GUIDA	1,00	02/2004	--
0037		VTVT15143		SCREW TE 6X16 UNI5739	2,00		--



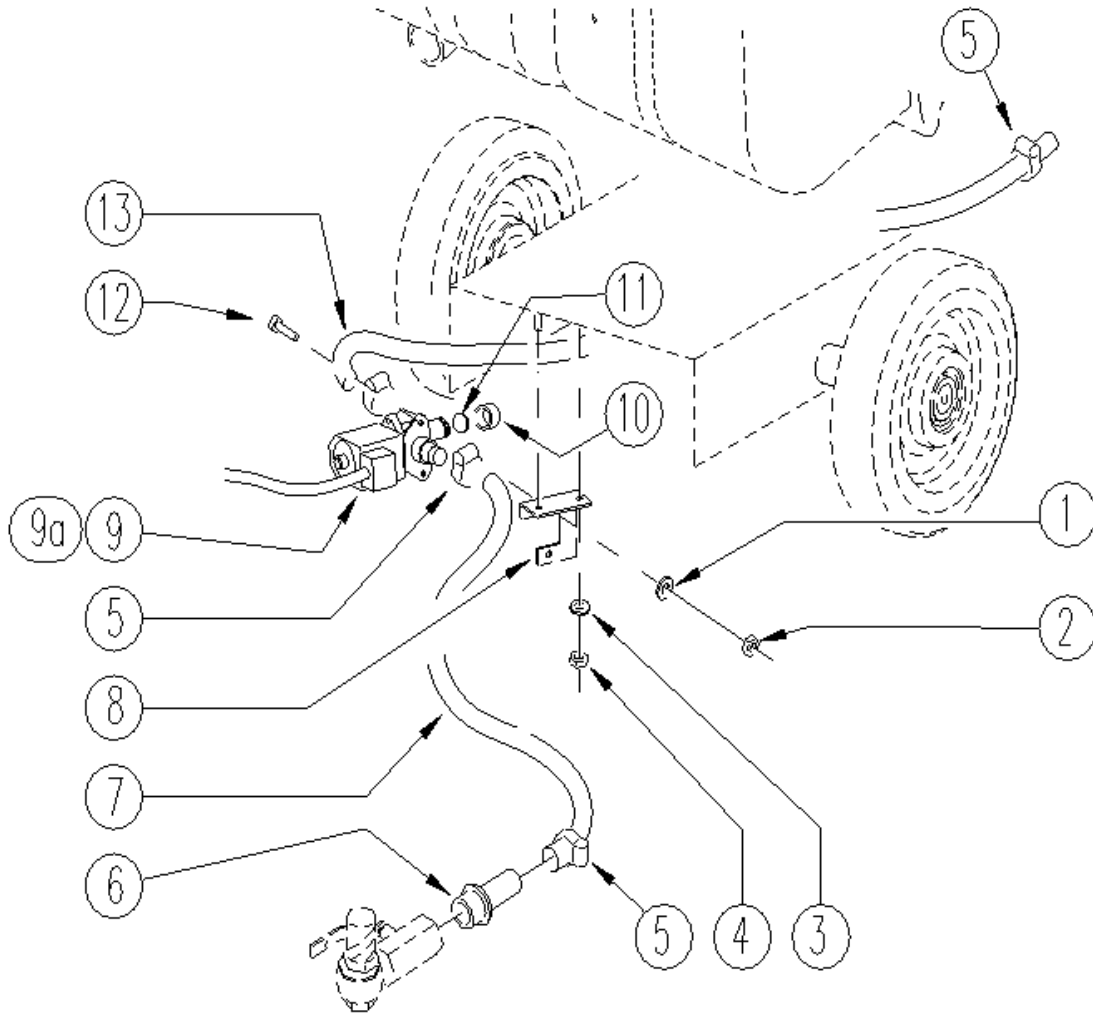
Ref. K	Part N.	Customer Part N.	Description	Qty	Validity:		Price
					From	To	
0001	VTDD15518		NUT M 6 INX	6,00	10/2002	--	--
0002	VTRS00245		WASHER D.6 UNI 6592 INOX	6,00	10/2002	--	--
0003	LAFN05697		SUPPORT	1,00	12/2003	--	--
0004	VTVT13939		SCREW TE 6X20 UNI5739 INX	2,00		--	--
0005	RCVR00543		CONNECTOR A GOMITO	1,00		--	--
0006	VTVT00655		SCREW TE M. 6-55	4,00	10/2002	--	--
0007	VTVT00699		SCREW TE M. 6-70	1,00	10/2002	--	--



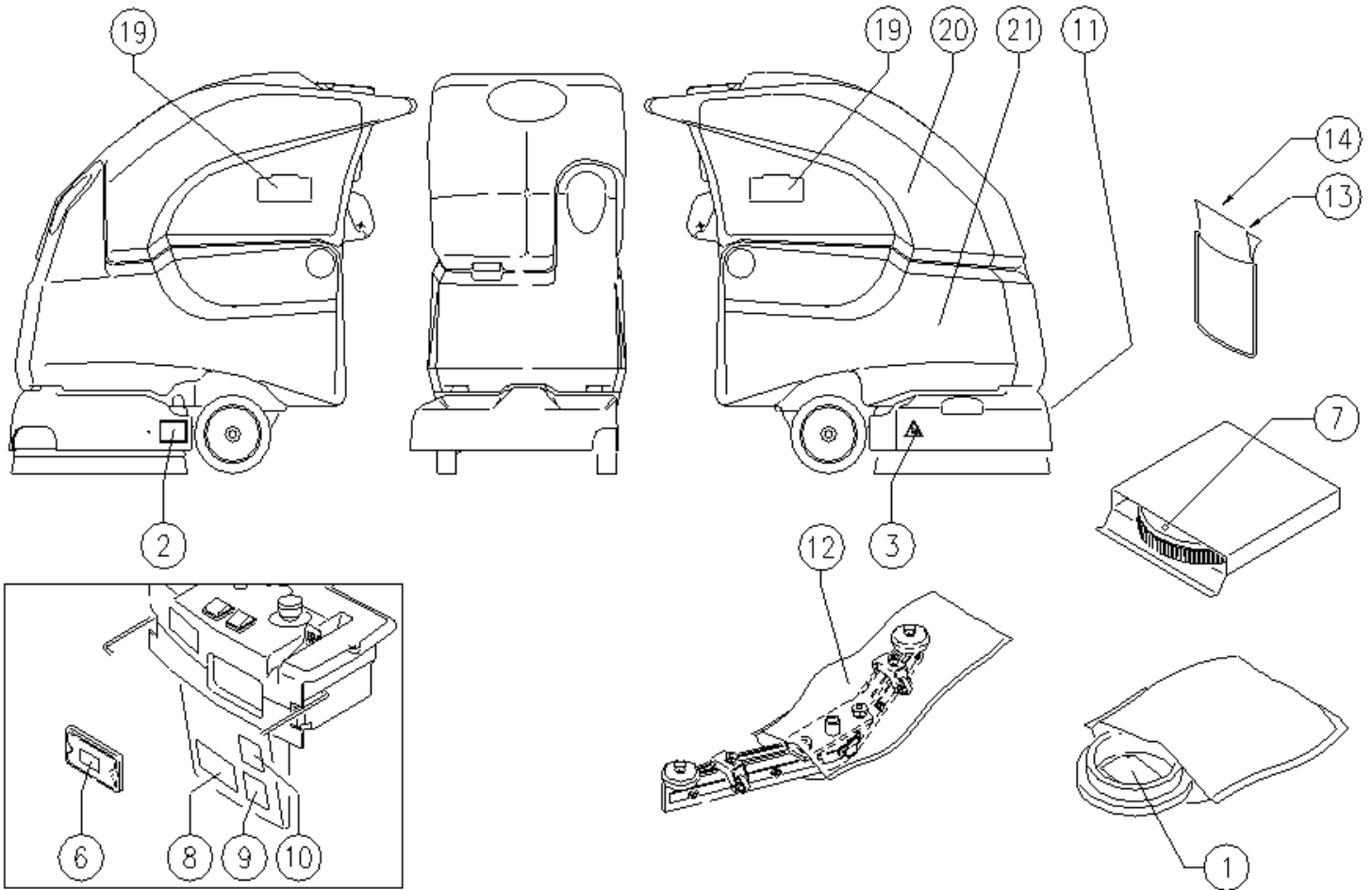
Ref. K	Part N.	Customer Part N.	Description	Qty	Validity:		Price
					From	To	
0001	LAFN05922		LEVER RUOTINO	1,00	05/2004		--
0002	VTRS00232		WASHER D.12 UNI 6592 ZINC.	1,00	10/2002		--
0003	RTRT00306		WHEEL D175 D2 060 M12x30	1,00	03/2004		--
0004	LAFN05736		FRAME	1,00	10/2002		--
0005	MPVR02892		BUSHING RUOTA DX ALLUNGATA	1,00	10/2002		--
0006	LAFN05188		SUPPORT BRACKET SERBATOIO ++SL39098	1,00	10/2002		--
0007	VTVR26559		KEY 5X5X15	1,00	10/2002		--
0010	MPVR02880		BUSHING PLASTICA	1,00	10/2002		--
0011	LAFN04095		SHAFT ASSE RUOTE ALLUNGATO	1,00	10/2002		--
0012	RTRT47147		WHEEL D.200 A.TRC.	2,00	10/2002		--
0013	VTVT00666		SCREW TBEI M. 8-10 INOX	2,00	10/2002		--
0014	VTRS13946		WASHER D. 8 X24 INX UNI 6593	2,00	10/2002		--
0015	LAFN04096		SPACER ALLUNGATO	1,00	10/2002		--



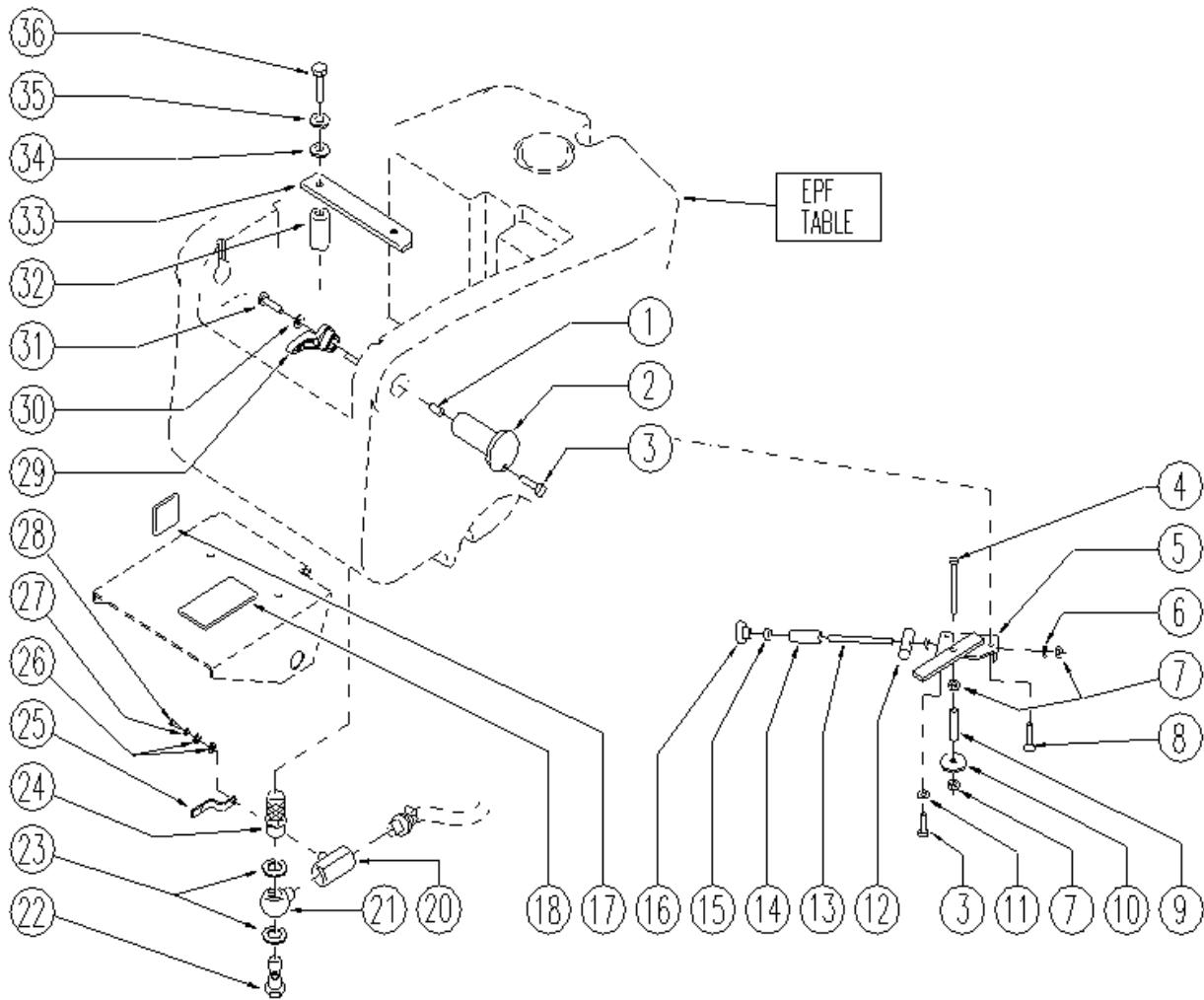
Ref. K	Part N.	Customer Part N.	Description	Qty	Validity:		Price
					From	To	
	CNPR00373		GREASE TIPO MARSON	1,00			--
0002	VTVT01315		SCREW AUTOF.TCC M6-16 DIN 7516	4,00	01/2004		--
0004	CUVR74239		BEARING 6005 X TERSY 45 C	2,00	02/2003		--
0005	CUVR00131		BEARING 9X24X7	2,00	02/2003		--
0006	PMVR00872		GEAR 1 RIDUZ.(CAVO)	1,00	02/2003		--
0008	PMVR00870		ASSEMBLED INGRANAGGIO 2 RIDUZIONE	1,00	02/2003		--
0009	CNPR00371		GASKET	1,00			--
0010	GUGO00277		OIL SEAL 25X35X7	2,00	02/2003		--
0011	MFVR00137		COVER INFERIORE	1,00	02/2003		--
0012	MFVR00134		DRIVE DISK SPAZZOLE	1,00	02/2003		--
0015	MOMO00192		MOTOR	1,00	02/2003		--
0016	MFVR00136		COVER SUPERIORE	1,00	02/2003		--
0017	MTIG00095		PINION MOTORE	1,00	02/2003		--
0018	VTRS00245		WASHER D.6 UNI 6592 INOX	2,00	02/2003		--
0019	VTVT00841		SCREW TE M. 6-65	2,00			--
0020	VTVR13165		KEY 5X5X20	1,00	02/2003		--
0021	VTVT17720		SCREW TCEI M 5X16 INOX	1,00			--
0022	LAFN04102		WASHER DIST.PER RIDUTTORE	1,00	02/2003		--
0023	VTRS00246		WASHER D. 6	3,00	02/2003		--
0070	GUVR00214		GASKET P184 RIDUTTORE	1,00	05/2004		--
0071	GUVR00215		GASKET P184 MOTORE	1,00	05/2004		--
0072	VTDD01694		NUT M 6 INX	3,00			--
0073	VTRS13750		WASHER D. 5X14 INX	1,00			--
0074	VTVT15515		SCREW TE M 6X 50 INOX A2	4,00			--
0075	VTRS13945		WASHER D. 6X18 INX UNI 6593	1,00			--



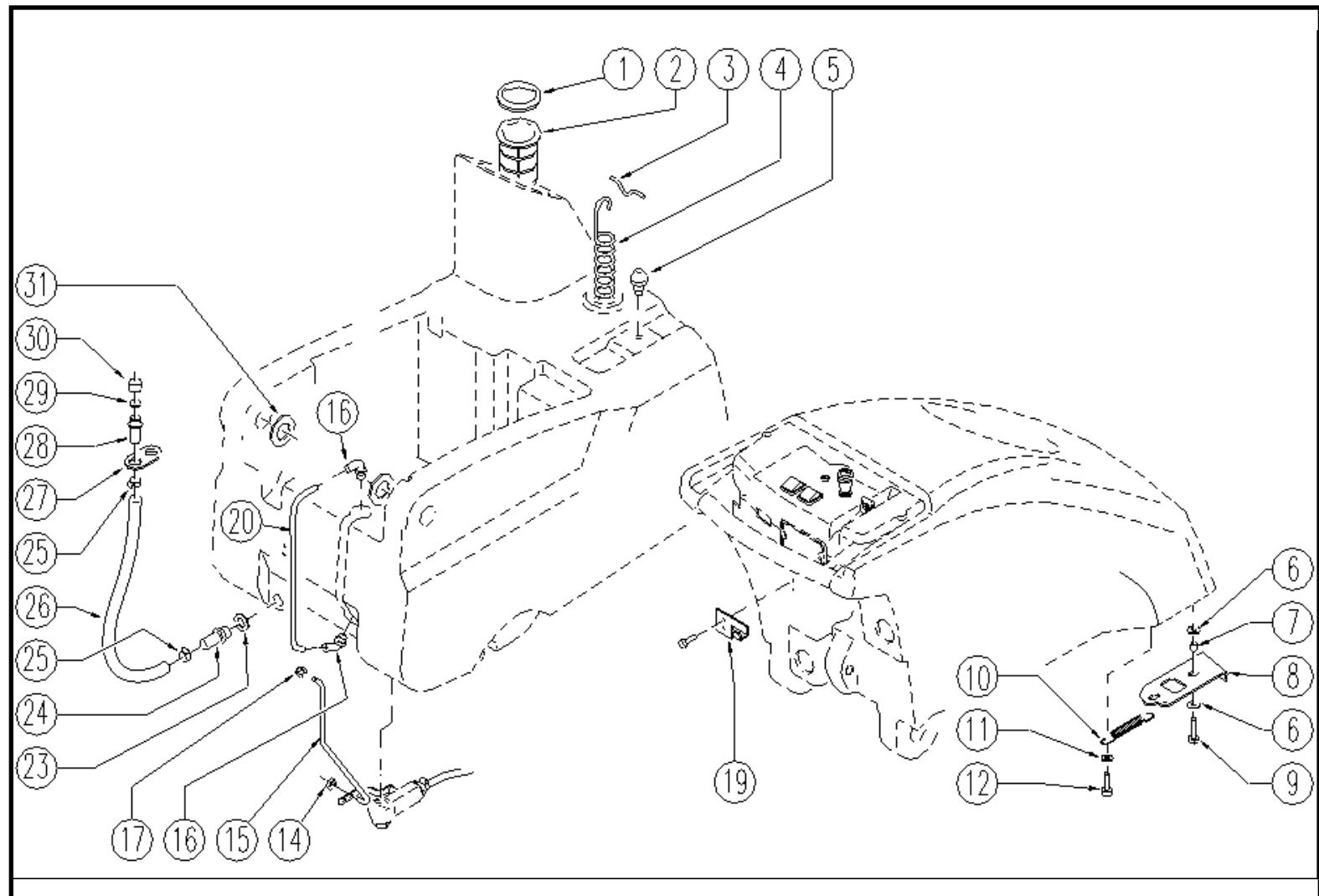
Ref. K	Part N.	Customer Part N.	Description	Qty	Validity:		Price
					From	To	
0001	VTRS00515		WASHER D. 4 INX	2,00	07/2002		--
0002	VTDD15925		NUT M 4 INX	2,00			--
0003	VTRS00516		WASHER D. 5 INX	2,00	11/2000		--
0004	VTDD01693		NUT M 5 INX	2,00	11/2000		--
0005	FSVR00096		CLAMP 10-16 INOX	4,00	03/2003		--
0006	RCVR00536		CONNECTOR PORTAG.	1,00			--
0007	TBBP00357		TUBE	1,00	07/2002		--
0008	LAFN05658		BRACKET SUPPORTO ELETTRIVALVOLA	1,00	11/2000		--
0009	MEEV00019		SOLENOID VALVE	1,00	03/2003		--
0010	RCVR00353		CAP 1/2"G X ELETTRIV. ACL	1,00			--
0011	GUGO00268		GASKET D.21 SP.3 GOMMA	1,00	03/2003		--
0012	VTVT00817		SCREW TE M4x12 UNI 5739 INOX	2,00			--
0013	TBBP00344		TUBE D12/18 L=670	1,00			--
009A	MECB00902		WIRING ELETTRIVALVOLA	1,00	03/2003		--



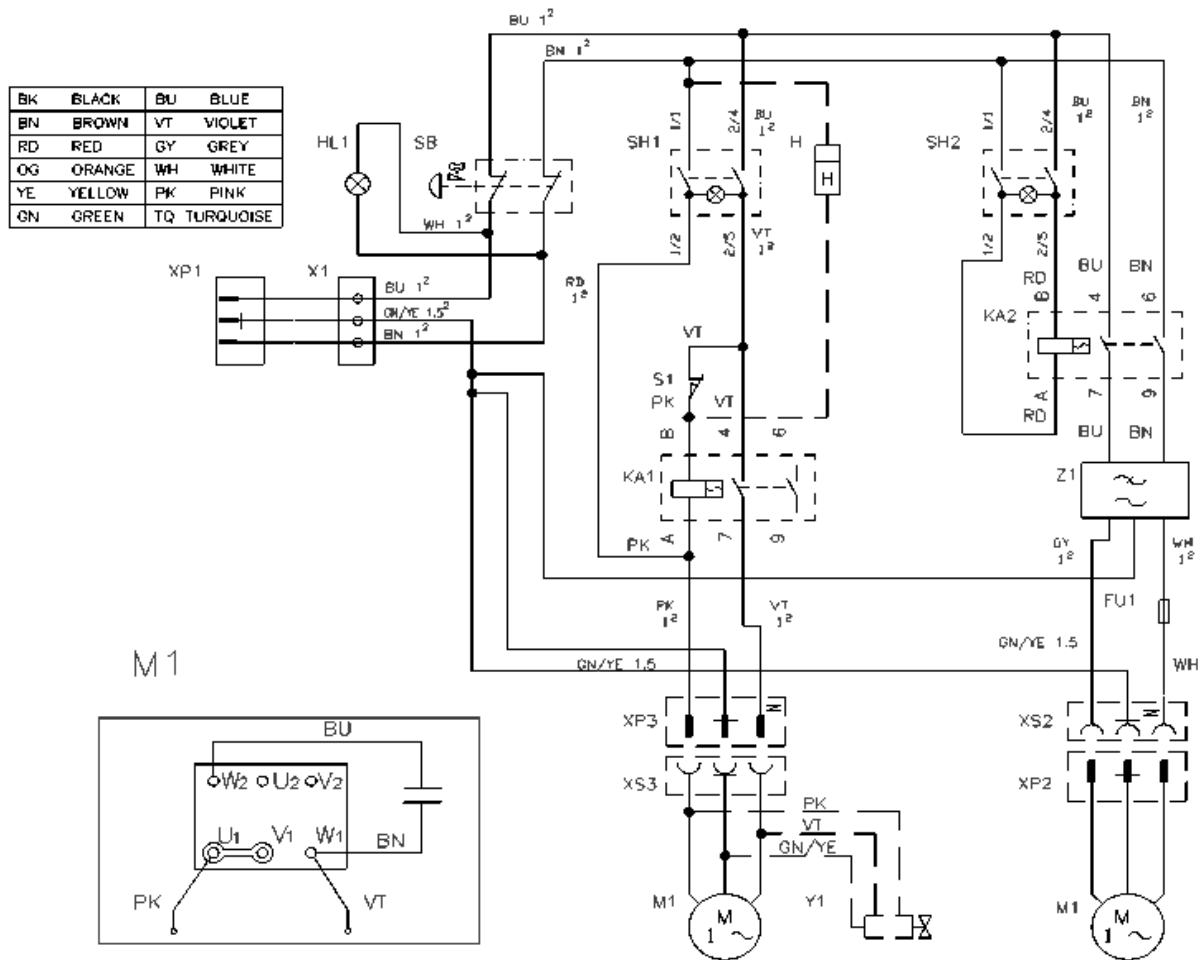
Ref. K	Part N.	Customer Part N.	Description	Qty	Validity:		Price
					From	To	
0001	ETET00554		ADHESIVE AVVERTENZE	1,00			--
0002	ETET01209		LABEL DIREZIONE	1,00			--
0003	ETET01014		ADHESIVE ATTENZ.ABRAS.ARTI	1,00			--
0006	ETET00763		LABEL SIMBOLO FUSIBILI	1,00			--
0007	SPPV43963		BRUSH NYL 0.8 500	1,00			--
0008	ETET00463		ADHESIVE SCARICO ACQUA	1,00			--
0009	ETET00704		ADHESIVE SCOLLEGAMENTO SPINA	1,00			--
0010	ETET00550		ADHESIVE PENDENZA	1,00			--
0011	MPVR03968		BRUSH PROTECT.	1,00			--
0012	MIVR00048		TUBE UNIBOL	1,00			--
0019	ETET01452		LABEL SCHEDE POTENZA	2,00			--
0021	MPVR47773		WATER TANK SHK-IIP	1,00			--



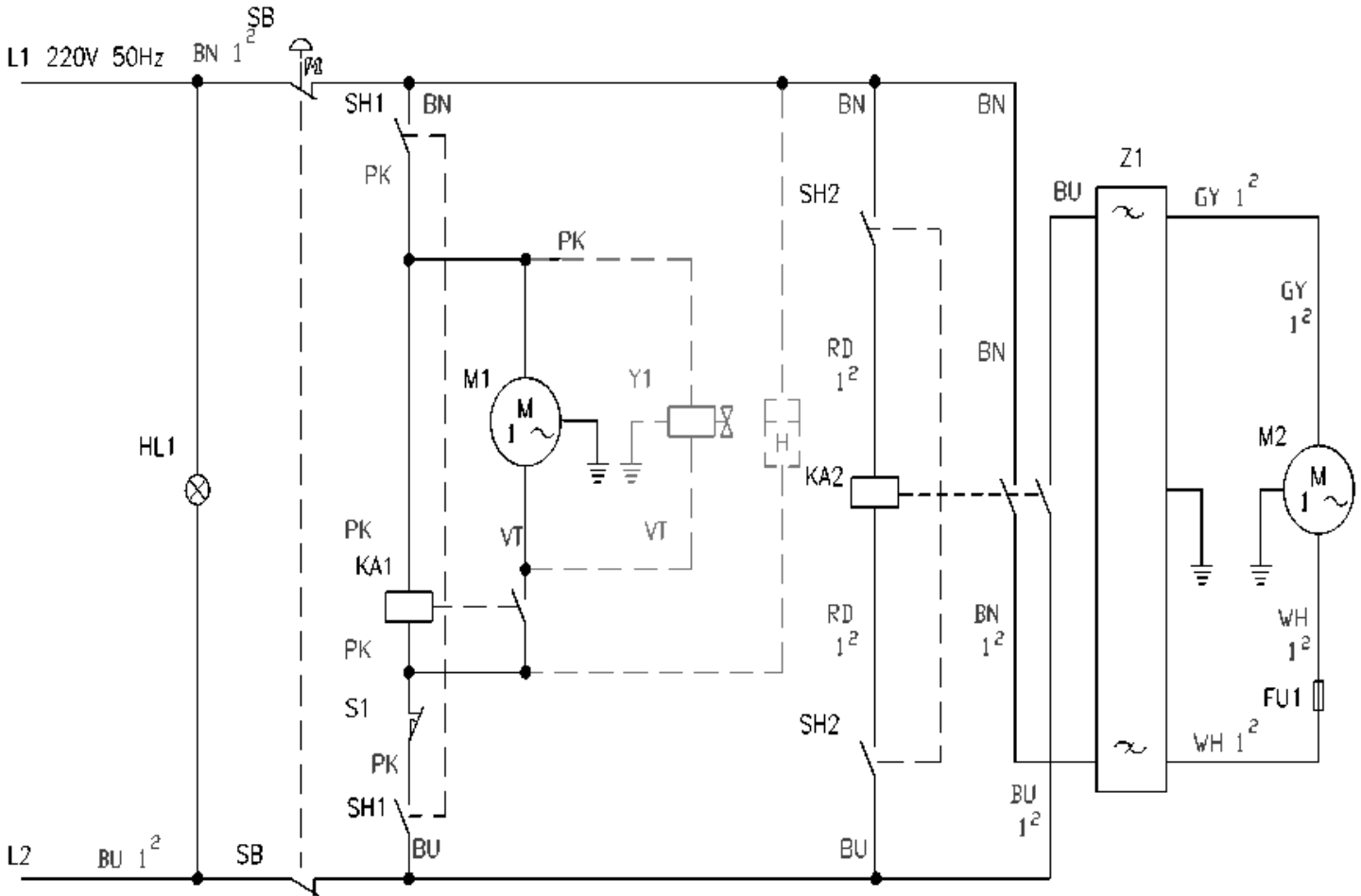
Ref. K	Part N.	Customer Part N.	Description	Qty	Validity:		Price
					From	To	
0001	VTVR48693		INSERT M6 D.9	2,00			--
0002	MPVR48695		PIN SHK.BK	2,00			--
0003	VTVT48694		SCREW TCB TC 5 X12 UNI 9707 TZ	5,00			--
0004	VTVT37014		SCREW TE M 6X 90 UNI 5739	1,00			--
0005	LAFN05743		SUPPORT GRUPPO REGOLAZIONE	1,00			--
0006	VTRS00245		WASHER D.6 UNI 6592 INOX	2,00			--
0007	VTDD15518		NUT M 6 INX	3,00			--
0008	VTVT00853		SCREW TSPC+ 4-16 X PLAST.	1,00			--
0009	LAFN04068		SPACER (OTTONE)	1,00			--
0010	VTRS00278		WASHER D.8X32 ZINC.BIANCA 6593	1,00			--
0011	VTRS13750		WASHER D. 5X14 INX	1,00			--
0012	LAFN03894		BLOCK GRUPPO REGOLAZIONE	1,00			--
0013	VTVR00204		BAR FILETTATA M.8 L=247MM	1,00			--
0014	LAFN04021		SPACER 12-8,5 L=70	1,00			--
0015	VTDD15521		NUT M 8 INX A2 UNI 5588	1,00			--
0016	VTVR35378		HANDWHEEL F 8MAX20 D.40	1,00			--
0017	MPVR02826		THICKNESS LATERALE SUPPORTO SERBAT.	1,00			--
0018	MPVR02825		THICKNESS SUPPORTO SERBATOIO	1,00			--
0020	RCGR00065		TAP F/F 1/2"	1,00			--
0021	RCDS49622		CONNECTOR OCC 1/2 - 1/2M	1,00			--
0022	RCDS49623		SCREW G 1/2 L=41.5	1,00			--
0023	GUVR00213		WASHER GOMMA	2,00			--
0024	FTAC00036		FILTER IN RETE	1,00			--
0025	LAFN47895		LEVER SHK-4	1,00			--
0026	VTRS13947		WASHER D. 8 INX UNI 6592	2,00			--
0027	VTRS00251		WASHER 4-16 INOX A2	1,00			--
0028	VTVT00834		SCREW TC+ M.3-6	1,00			--
0029	MPVR49471		LEVER SHK	1,00			--
0030	VTRS00239		WASHER D.6-18	3,00			--
0031	VTVT15143		SCREW TE 6X16 UNI5739	2,00			--
0032	MPVR02884		SPACER NYLON BIANCO	2,00			--
0033	LAFN05630		BRACKET BLOCCA SERBATOIO	1,00			--
0034	VTRS13946		WASHER D. 8 X24 INX UNI 6593	2,00			--
0035	VTRS01080		WASHER D. 8 GRW	2,00			--
0036	VTVT15917		SCREW TE M 8X50 INOX A2 UNI	2,00			--



Ref. K	Part N.	Customer Part N.	Description	Qty	Validity:		Price
					From	To	
0001	GUGO00267		GASKET FILTRO	1,00			--
0002	FTAC48857		FILTER ASP. ACQUA SERB. LAVAP.	1,00			--
0003	LAFN05728		SPRING SUPPORT SERB.SHARK/P	1,00			--
0004	MLML00205		SPRING TESTATA	1,00			--
0005	LAFN04044		PIN APERTURA SERBATOIO	1,00			--
0006	VTRS13946		WASHER D. 8 X24 INX UNI 6593	4,00			--
0007	LAFN03940		BUSHING 8/12-5,25	2,00			--
0008	LAFN05727		HANDLE APERTURA	1,00			--
0009	VTVT15916		SCREW TE M 8X 16 UNI 5739 A2	2,00			--
0010	MLML34726		SPRING TR E350 N	1,00			--
0011	VTRS21116		WASHER D. 3 INX	1,00			--
0012	VTVT00743		SCREW TC+ M. 3-8	1,00			--
0014	VTDD15518		NUT M 6 INX	1,00			--
0015	LAFN05760		ROD INFERIORE RUBINETTO	1,00			--
0016	RCVR00538		CONNECTOR A GOMITO	2,00			--
0017	VTAE00058		CIRCLIP RADIALE ALBERI D5 INOX	1,00			--
0020	TBBP00365		TUBE LIVELLO	1,00			--
0023	GUVR00213		WASHER GOMMA	1,00			--
0024	RCVR00359		UNION/CONNECTOR 1/2 X 17 MOD.	1,00			--
0025	FSVR00091		CLAMP 14-24	2,00			--
0026	TBBP00180		TUBE D 15-500 MM	1,00			--
0027	MPVR02836		HOOKING TUBO	1,00			--
0028	RCVR00514		CONNECTOR 1/2 M RESCA 15	1,00			--
0029	GUGO00268		GASKET D.21 SP.3 GOMMA	1,00			--
0030	RCVR00353		CAP 1/2" G X ELETTROV. ACL	1,00			--
0031	GUGO00261		GASKET PERNI SHARK2	2,00			--



Ref.	K	Part N.	Customer Part N.	Description	Qty	Validity:		Price
						From	To	
FU1		MEVR01402		FUSE 5AX20	1,00			--
H		KTRI00636		ACCESSORY CONTAORE 230 V SHARK	1,00			--
HL1		MELF30641		LAMP 220V B.	1,00			--
KA1		MERL48876		SWITCH RELAY FIND 250V AC1 62.82	1,00			--
KA2		MERL48876		SWITCH RELAY FIND 250V AC1 62.82	1,00			--
M1		MOMO00192		MOTOR	1,00			--
M2		MOMO00184		MOTOR ASPIR. TRIS. CPL 650W	1,00			--
S1		MECI36393		MICROSWITCH TRZ. DRW	1,00			--
SB		MECI38446		BUTTON D.22 NC	1,00			--
SH1		MECI30639		SWITCH 250V GLL.	1,00			--
SH2		MECI30639		SWITCH 250V GLL.	1,00			--
X1		MOST00030		TERMINAL BOARD 4P 230V	1,00			--
XP1		MECB00763		CABLE ALIMENTAZIONE	1,00			--
XP2		MEVR01313		CONNECTOR SPINA 3 P.RIF.93	1,00			--
XP3		MEVR01313		CONNECTOR SPINA 3 P.RIF.93	1,00			--
XS2		MEVR01312		CONNECTOR PRESA 3 P.	1,00			--
XS3		MEVR01312		CONNECTOR PRESA 3 P.	1,00			--
Y1		KTRI00737		KIT ELETTROVALVOLA	1,00			--
Z1		MECE31132		FILTER LC LAVAM. FL.	1,00			--



Ref.	K	Part N.	Customer Part N.	Description	Qty	Validity:		Price
						From	To	
FU1		MEVR01402		FUSE 5AX20	1,00			--
H		KTRI00636		ACCESSORY CONTAORE 230 V SHARK	1,00			--
HL1		MELF30641		LAMP 220V B.	1,00			--
KA1		MERL48876		SWITCH RELAY FIND 250V AC1 62.82	1,00			--
KA2		MERL48876		SWITCH RELAY FIND 250V AC1 62.82	1,00			--
M1		MOMO00192		MOTOR	1,00			--
M2		MOMO00184		MOTOR ASPIR. TRIS. CPL 650W	1,00			--
S1		MECI36393		MICROSWITCH TRZ. DRW	1,00			--
SB		MECI38446		BUTTON D.22 NC	1,00			--
SH1		MECI30639		SWITCH 250V GLL.	1,00			--
SH2		MECI30639		SWITCH 250V GLL.	1,00			--
Y1		KTRI00737		KIT ELETTRORVALVOLA	1,00			--
Z1		MECE31132		FILTER LC LAVAM. FL.	1,00			--