



IPC Integrated Professional Cleaning

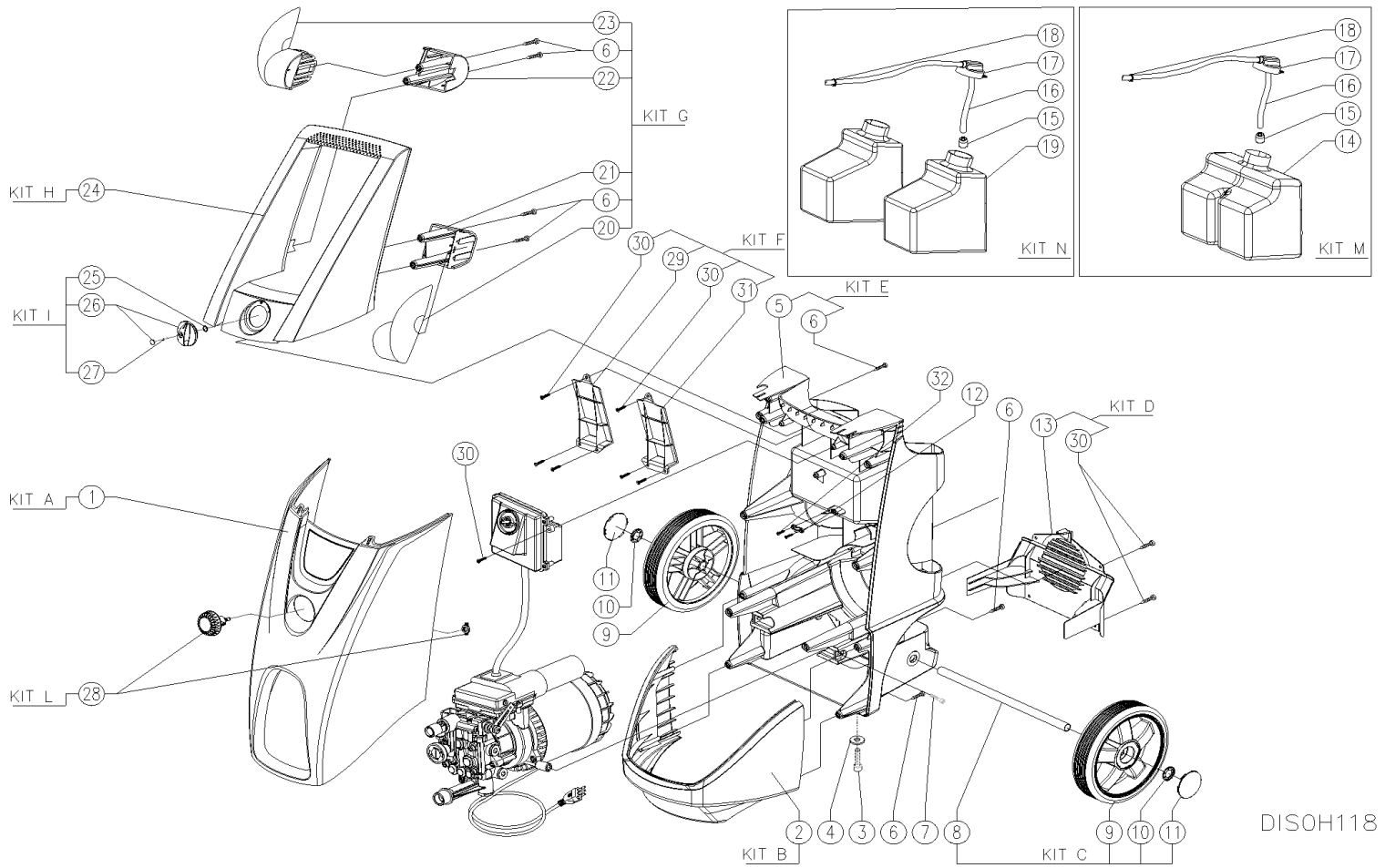
IPCPortotecnica

Spare Parts List

PORTOTECNICA

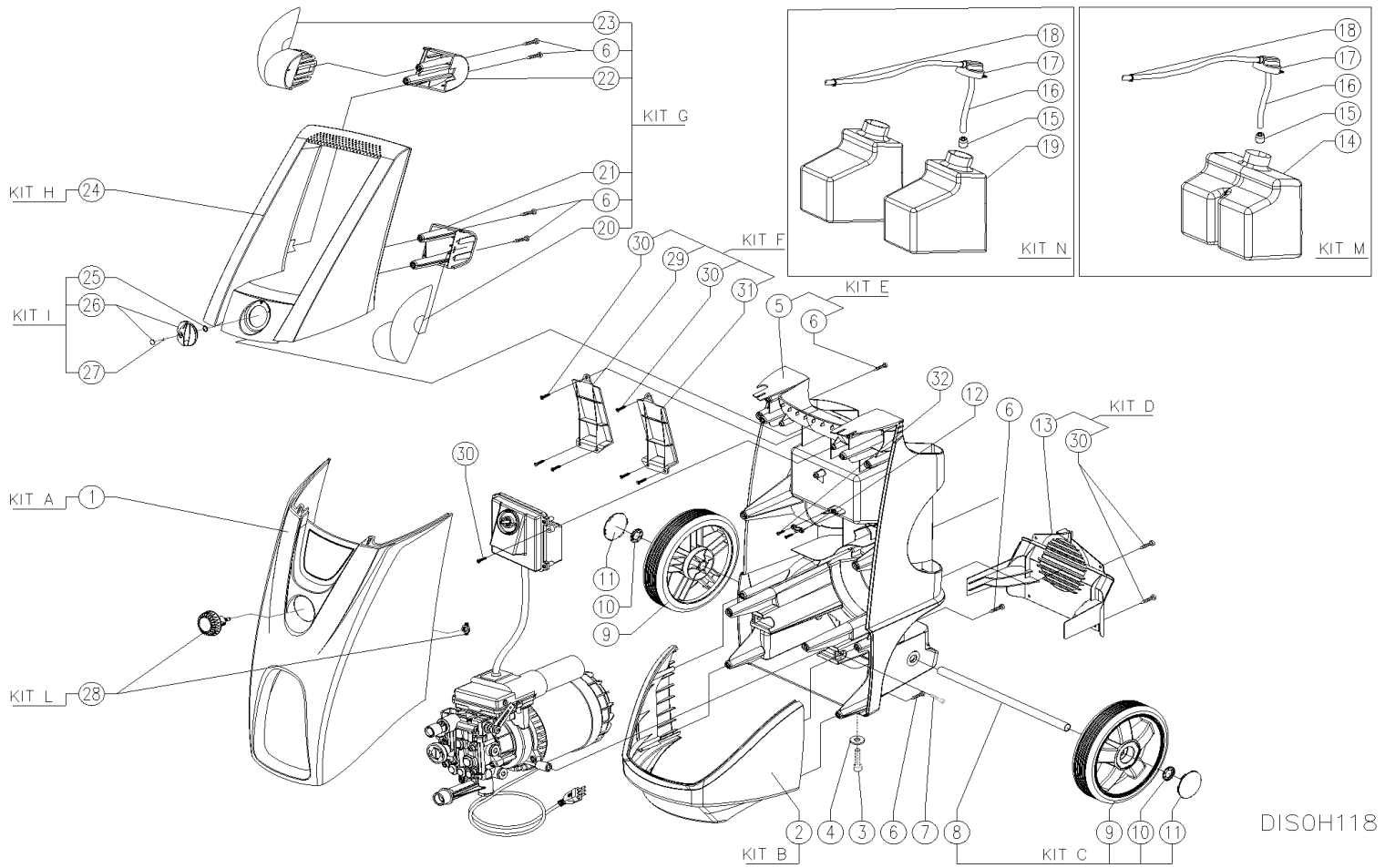
Ref: IDAF92061

Model: IDROP G150 OT 1T DS M 230/50 3-01PRT



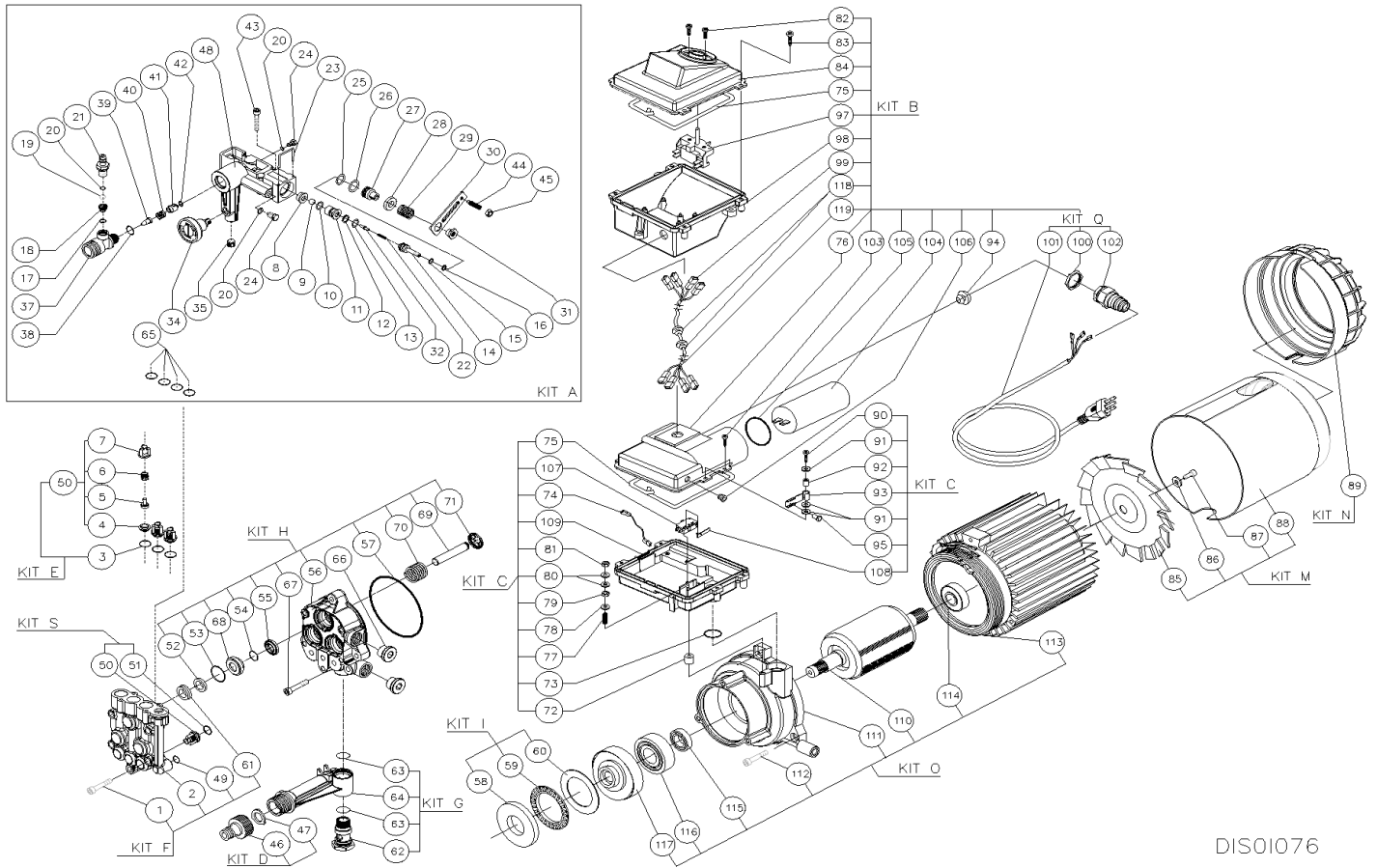
DISOH118

Ref.	K	Part N.	Customer Part N.	Description	Qty	Validity:		Price
						From	To	
0001	E	MPVR92126		RED COVER "SERIE G" IPC	1,00			--
0002	E	MPVR92120		BAND ANT. "SERIE G"	1,00			--
0003	E	VTVT01573		SCREW TCEI 8X25 UNI5931	1,00			--
0004	E	VTRS00512		WASHER D. 8 X24 ZC.	1,00			--
0005	E	MPVR92122		FRAME "SERIE G"	1,00			--
0006	E	VTVT80745		SCREW TCB-TC 5 X25	18,00			--
0007	E	VTVT01573		SCREW TCEI 8X25 UNI5931	2,00			--
0008	E	LAFN92146		WHEELS AXLE H 121	1,00			--
0009	E	RTRT91967		WHEEL D.200 "SERIE G" GRIGIA	2,00			--
0010	E	VTRS60945		WASHER D.15	2,00			--
0011	E	MPVR91970		GREY HUB CAP "SERIE G"	2,00			--
0012	E	MPVR60495		CLAMP HOBBY	1,00			--
0013	E	MPVR92355		BAND POST. "SERIE G"	1,00			--
0014	E	MPVR92133		DETERGENT TANK "SERIE G" LT 3	1,00			--
0015	E	MPVR60422		SUCTION FILTER DETERG.HOBBY 90	1,00			--
0016	E	TBBP93800		L.P. HOSE D. 6- 9	0,90			--
0017	E	MPVR91923		TANK CAP "G160"	1,00			--
0018	E	FSVR72803		CLAMP D 9.3 - 9.9	2,00			--
0020	E	MPVR92117		SUPPORT "SERIE G" SX	1,00			--
0021	E	MPVR92113		HOSE WIND.SUPP."SERIE G" SX	1,00			--
0022	E	MPVR92114		HOSE WIND.SUPP.DX "SERIE G" S/AVTB	1,00			--
0023	E	MPVR92116		HOOK "SERIE G" DX	1,00			--
0024	E	MPVR92477		HANDLE "SERIE G"	1,00			--
0025	E	GUGO01060		O-RING D. 9.92 X 2.62 NBR 70SH	1,00			--
0026	E	MPVR91917		SWITCH KNOB SERIE "G"	1,00			--
0027	E	VTVT92473		SCREW TCB-TC 2,5X12 ZINC	1,00			--
0028	E	RCGR93687		TAP "G" TAMP. 1T	1,00			--
0029	E	MPVR93244		PLATE TELAIO "SERIE G" DX	1,00			--
0030	E	VTVT67350		SCREW TCB TC 5X20 Z.N. UNI9707	13,00			--
0031	E	MPVR93245		PLATE TELAIO "SERIE G" SX	1,00			--
0032	E	VTVT62978		SCREW TCB TC 4,8X16 ZC	2,00			--



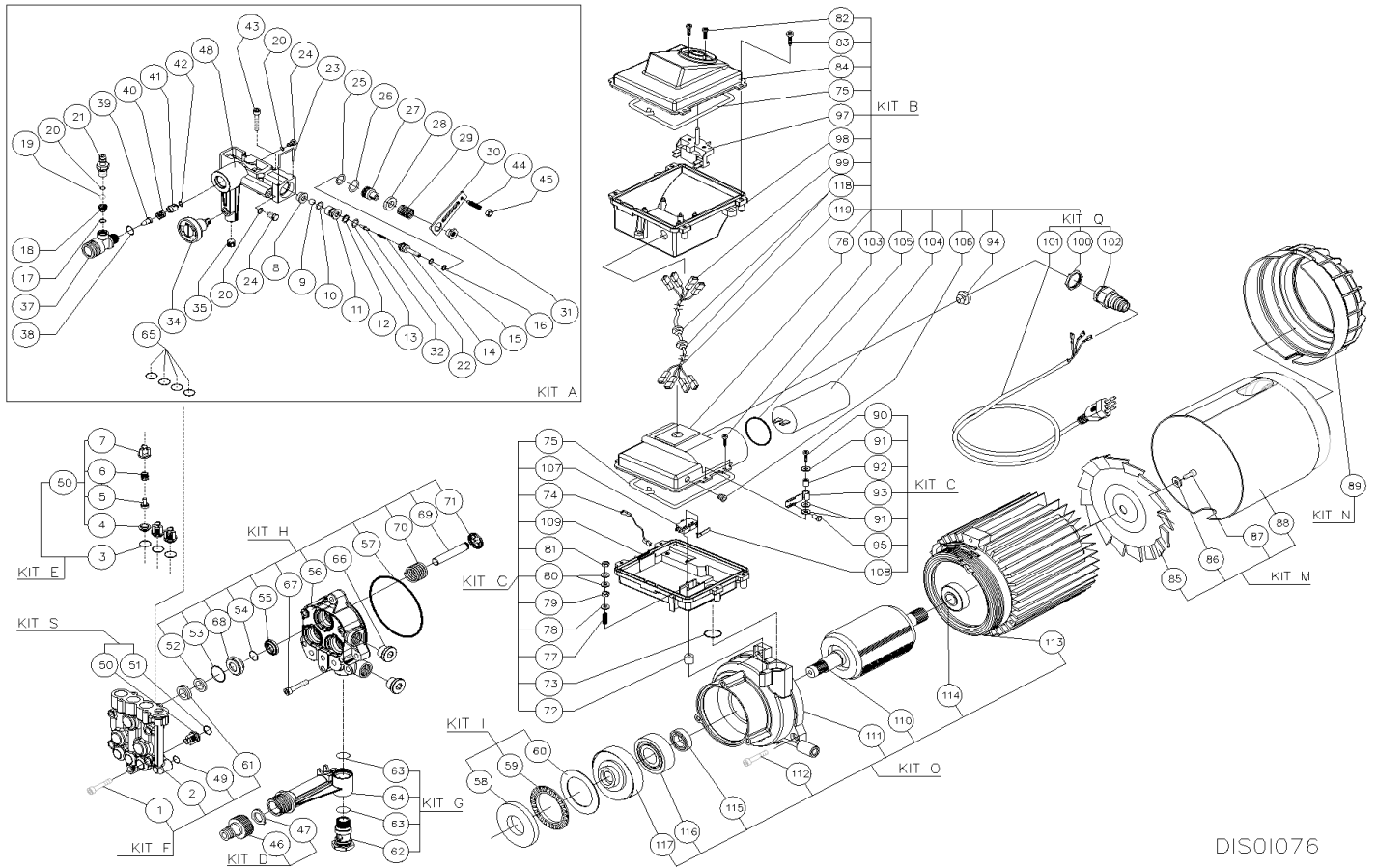
DISOH118

Ref. Part N.	Cust. Part N.	Description	Reference	Price
K 3	KTRI93513	SCREW KIT F 30-012 (50 PZ)	0003	--
K 4	KTRI93512	SCREW KIT F 30-011 (50 PZ)	0004	--
K 6	KTRI92987	SCREW KIT F 30-006 (50 PZ)	0006	--
K A	KTRI93635	RED COVER KIT F24-074 "G" (3 PZ)	0001	--
K B	KTRI93502	BAND KIT F24-056 ANT. "G" (5P)	0002 0006	--
K C	KTRI93503	WHEEL KIT F1-004 AQK-PRO (2P)	0008 0009 0010 0011	--
K D	KTRI93504	COOLING GRILL KIT F24-057 "G" (10 PZ)	0013 0030	--
K E	KTRI93505	FRAME KIT F24-058 "SERIE G"(1)	0005 0006	--
K F	KTRI93506	PLATE KIT F24-059 "G"DX/SX (10P)	0029 0030 0031	--
K G	KTRI93507	HOOK KIT F24-060 "PRO150"(1PZ)	0006 0020 0021 0022 0023	--
K H	KTRI93623	HANDLE KIT F 24-071 "SERIE G" 3P	0024	--
K I	KTRI93509	RED KNOB KIT F04-001 INT."G" (20P)	0025 0026 0027	--
K L	KTRI93510	TAP KIT F6-004 "G" 1T (10PZ)	0028	--
K M	KTRI93511	DETERGENT TANK KIT F6-005 SING."G" (1PZ)	0014 0015 0016 0017 0018	--
K 12	KTRI84071	CLAMP KIT 876 (20 PZ)	0012	--
K 30	KTRI93514	SCREW KIT F 30-013 (50 PZ)	0030	--
K 32	KTRI84030	SCREW KIT 835 (50 PZ)	0032	--



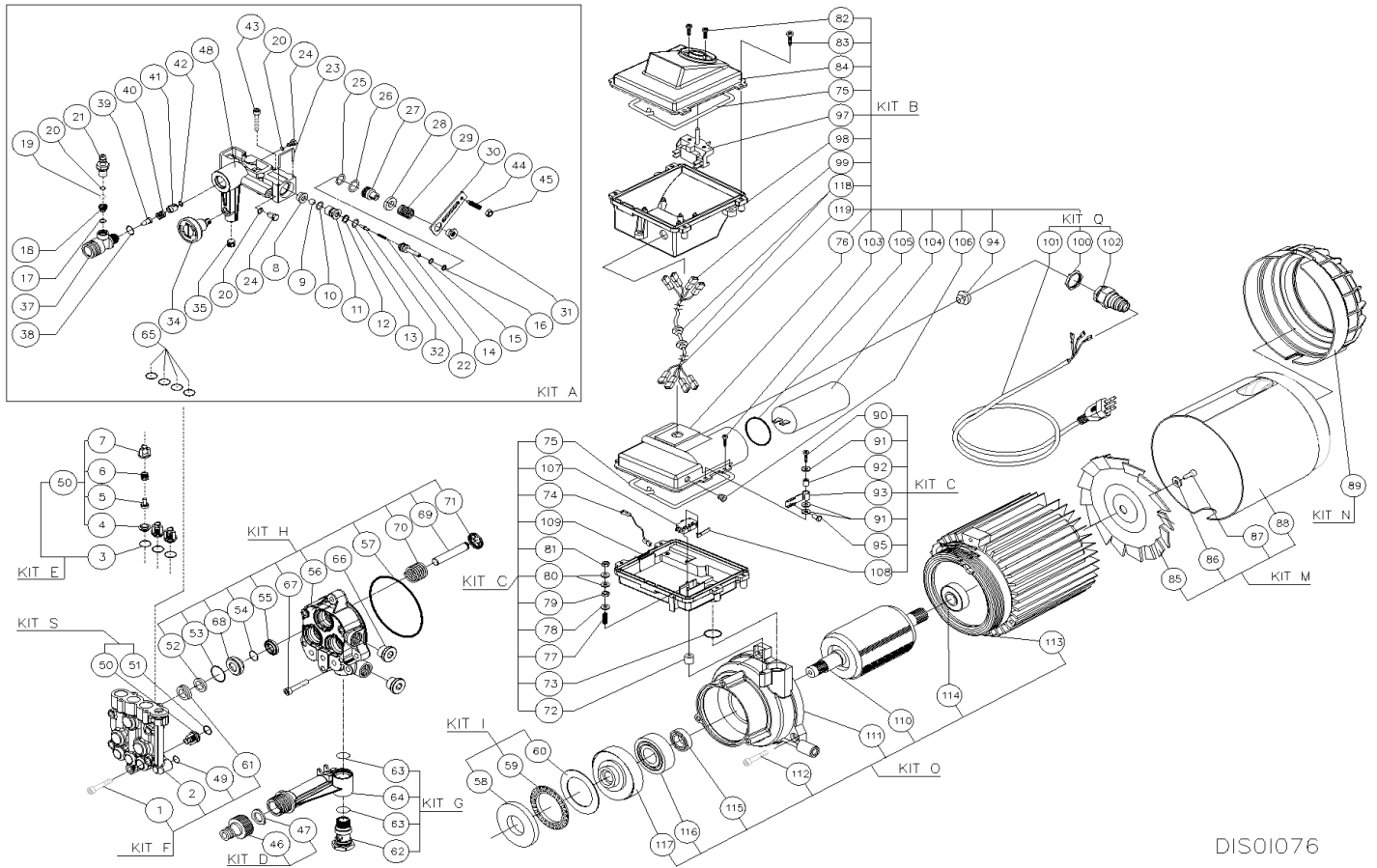
DIS01076

Ref.	K	Part N.	Customer Part N.	Description	Qty	Validity: From	To	Price
0001	E	VTVT91360		SCREW TCEI M 7X35 32000 N ZN.G.	5,00	11/2004		--
0002	E	MFVR92151		HEAD HBY 5VT OT S/R M7	1,00	11/2004		--
0003	E	GUGO21841		O-RING D. 12.42 X 1.78 NBR 90SH	3,00	11/2004		--
0004	E	PVVR40191		VALVE SEAT "TH"	1,00	11/2004		--
0005	E	PVVR40190		CAP A.700 INX	1,00	11/2004		--
0006	E	MLML40189		SPRING D. 5.5 "TH"	1,00	11/2004		--
0007	E	PVVR40188		VALVE GUIDE "TH"	1,00	11/2004		--
0008	E	PVVR40167		CAP B12	1,00			--
0009	E	SFVR53318		BALL D. 7 AISI 420	1,00			--
0010	E	GUGO03496		O-RING D. 9.25 X 1.78 NBR 70SH	1,00			--
0011	E	PVVR81275		VALVE SEAT D. 5.6 B POL.	1,00			--
0012	E	GUVR63570		ANTI-EXTR.RING D. 9 X12 X1.5 OR108	1,00			--
0013	E	GUGO63403		O-RING D. 8.73 X 1.78 NBR 70SH	1,00	11/2004		--
0014	E	PVVR92410		SMALL PISTON E.START LG. ALL.	1,00			--
0015	E	GUGO12489		O-RING D. 6.07 X 1.78 NBR 70SH	1,00			--
0016	E	GUVR40170		ANTI-EXTR.RING D. 6 X 9	1,00			--
0017	E	GUGO06988		O-RING D. 7.66 X 1.78 NBR 70SH	1,00			--
0018	E	MLML40172		SPRING D. 3.5 h=12	1,00			--
0019	E	SFVR40173		BALL D. 3/16" AISI 420	1,00			--
0020	E	GUGO01062		O-RING D. 3.69 X 1.78 NBR 70SH	3,00			--
0021	E	RCDS92412		CONNECTOR ASP.DETERG.- H110 ALL	1,00			--
0022	E	MLML40169		SPRING E.START	1,00			--
0023	E	LAFN82147		PLUG ARR.CART BY-PASS BUR S2	1,00			--
0024	E	RCDS92734		SCREW CHIUSURA BY PASS M6 ALL.	2,00			--
0025	E	GUGO11652		O-RING D. 12.42 X 1.78 NBR 70SH	1,00			--
0026	E	GUGO09720		O-RING D. 14 X 1.78 NBR 70SH	1,00			--
0027	E	PVVR92408		VALVE BODY BY-PASS B ALL.	1,00			--
0028	E	LAFN58903		SPACER D.12 BY-PASS	1,00			--
0029	E	MLML67104		SPRING 130 BAR D. 3.4	1,00			--
0030	E	LAFN58939		BLADE H 97	1,00			--
0031	E	VTDD92738		NUT E.START ALL.	1,00			--
0032	E	PVVR40165		CONTROL PISTON E.START	1,00			--
0034	E	MNMN91833		PRESSURE GAUGE D.40 MIN-MAX R1/8"	1,00	03/2005		--
0035	E	RCDS59682		CAP G 1/8 CN	1,00			--
0037	E	MFVR91821		CONNECTOR MAND. C/ASP.DET. H120	1,00			--
0038	E	GUGO01047		O-RING D. 11.91 X 2.62 NBR 70SH	1,00			--
0039	E	UGEI40178		NOZZLE D. 1.8 HOBBY	1,00			--
0040	E	MLML59254		SPRING D. 9.2 X10X0.8 AISI 302	1,00			--
0041	E	VVSF40182		VALVE H90 PLS	1,00			--



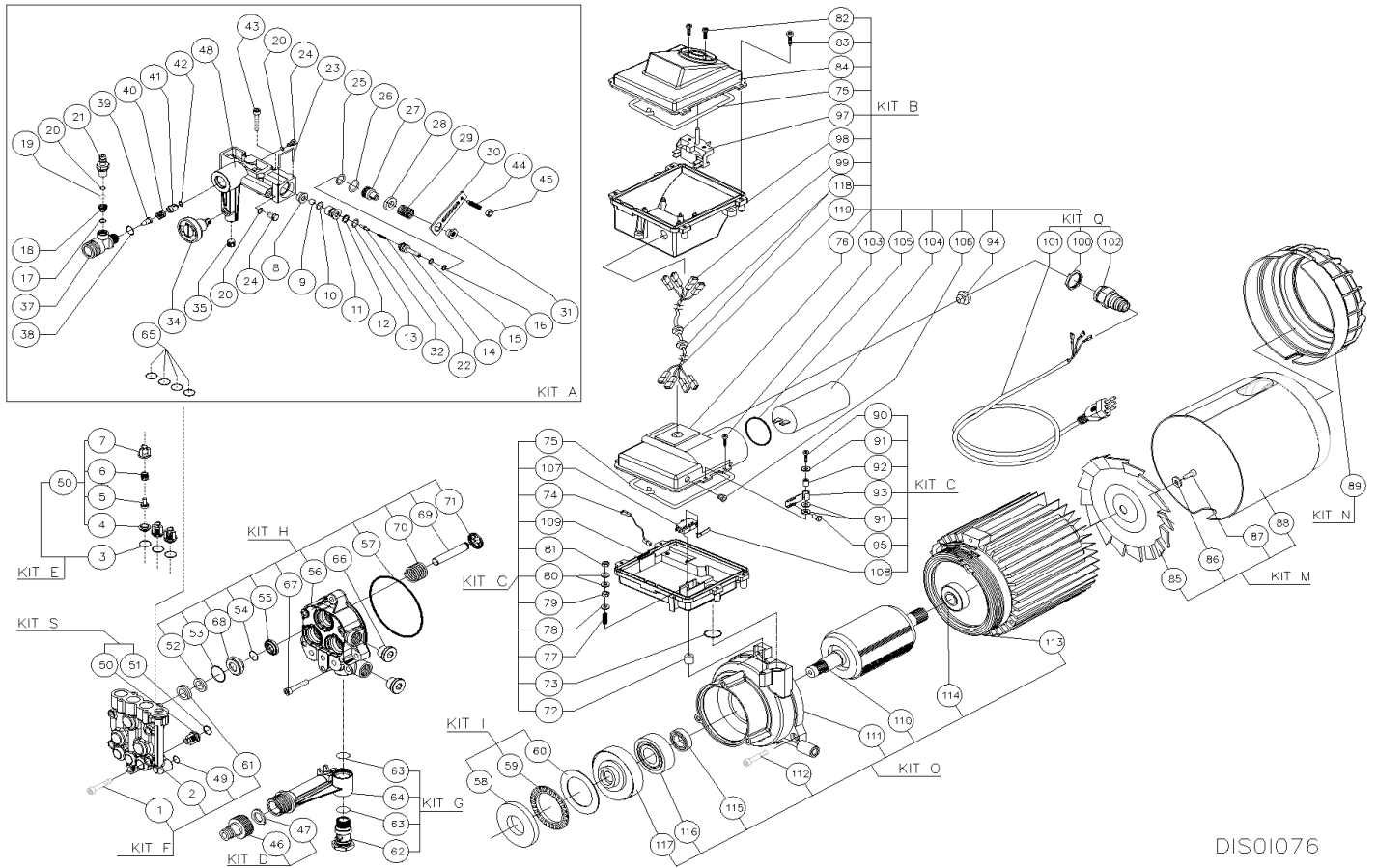
DIS01076

Ref.	K	Part N.	Customer Part N.	Description	Qty	Validity: From To	Price
0042	E	GUGO93633		O-RING D. 5 X 2 NBR 90SH	1,00		--
0043	E	VTVT91362		SCREW TCEI M 5X30 12.9 ZN.G.	4,00	11/2004	--
0044	E	VTVT63055		SCREW M 5X 16 EI-ST UNI 5923	1,00		--
0045	E	VTDD01678		NUT M 5 UNI 5588	1,00		--
0046	E	FTAC92422		WATER FILTER ASS. MTPV2000	1,00	11/2004	--
0047	E	RCVR90242		SOCKET 3433 BK.	1,00	07/2003	--
0048	E	MFVR91604		MANIFOLD AL M/F G150 ANODIZ.	1,00		--
0049	E	GUGO63403		O-RING D. 8.73 X 1.78 NBR 70SH	1,00		--
0050	E	VVAM41610		VALVE UNIT F 140/150 IP	6,00	11/2004	--
0051	E	GUGO40192		O-RING D. 12 X 2 NBR 90SH	3,00	11/2004	--
0053	E	GUGO19290		O-RING D. 23.52 X 1.78 NBR 70SH	3,00	11/2004	--
0054	E	GUGO19194		O-RING D. 11.11 X 1.78 NBR 70SH	3,00		--
0055	E	GUGO83400		OIL SEAL 14X 22X 5/7	3,00		--
0056	E	MFVR91823		CRANKCASE RNF 14CT H3 PF3/8G SS 3/8	1,00		--
0057	E	GUGO40199		O-RING D. 80.60 X 2.62 NBR 70SH	1,00		--
0058	E	CUVR91911		THRUST BLOCK D. 27X60 H6	1,00	12/2004	--
0059	E	CUVR92973		ROLLER BEARING AXK 4060	1,00		--
0060	E	CUVR92974		FLANGE D. 40X60-1 AS4060	1,00		--
0061	E	GUVR40194		PACKING D. 14 W214	3,00	11/2004	--
0062	E	MPVR91829		SCREW 3/8 RACC. ASP. G160	1,00		--
0063	E	GUGO24913		O-RING D. 17.17 X 1.78 NBR 90SH	2,00		--
0064	E	MPVR91828		INTAKE CONNECT.G160	1,00		--
0065	E	GUGO40193		O-RING D. 15 X 2 NBR 70SH	4,00	11/2004	--
0066	E	RCVR67288		OIL CAP 3/8+G TCNB-38	2,00		--
0067	E	VTVT91361		SCREW TCEI M 6X30 22000 N ZN.G.	3,00	11/2004	--
0068	E	PVVR92721		PACKING RETAIN.D. 14 H.90 S2 ALL.	3,00	01/2005	--
0069	E	PIVR90981		PISTON D. 14X 63 HBY 90SP.	3,00		--
0070	E	MLML59285		SPRING 5 SP	3,00	10/1999	--
0071	E	PVVR40201		SPRING PLATE H.90	3,00		--
0072	E	LAFN62762		SPACER D. 11 H. 7MM	1,00		--
0073	E	GUGO63500		O-RING D. 19 X 2 NBR 70SH	1,00		--
0074	E	MECB64203		CABLE ASS. INTERR./MICRO	1,00		--
0075	E	GUVR82555		JOINT D. 4	0,40	11/2004	--
0076	E	MPVR92134		BOX COVER H120 VERS."G"	1,00	11/2004	--
0077	E	VTVT63061		SCREW M 5X 35 EI-ST UNI 5927	1,00		--
0078	E	VTRS63242		WASHER D. 6 X24 ZC	1,00		--
0079	E	VTDD63175		NUT M 5 FL.	1,00		--
0080	E	VTRS63309		WASHER D. 5 UNI 8842	2,00		--
0081	E	VTDD63175		NUT M 5 FL.	1,00		--



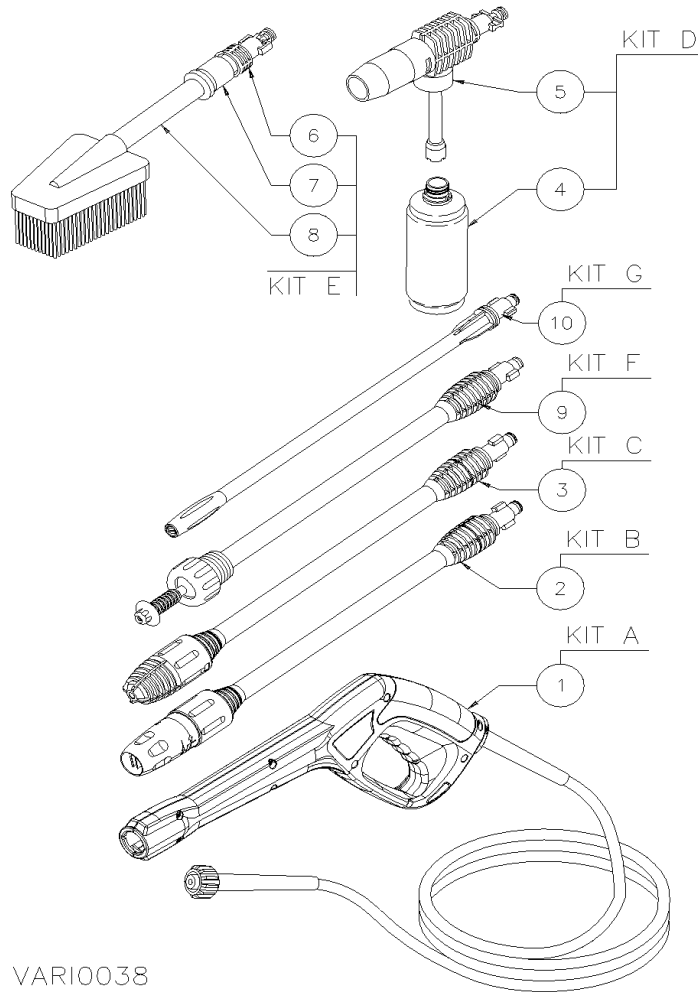
DIS01076

Ref.	K	Part N.	Customer Part N.	Description	Qty	Validity:		Price
						From	To	
0082	E	VTVT63046		SCREW TSPEI M4X12 ZC.	2,00	11/2004	--	
0083	E	VTVT62983		SCREW ATF TC CROCE M3,9X19 BRU	4,00	11/2004	--	
0084	E	MPVR91919		BOX COVER "G160"	1,00	11/2004	--	
0085	E	VEVR40161		IMPELLER A.700 D.140	1,00		--	
0086	E	VTRS63276		WASHER D. 5 UNI 8836 EL.	2,00		--	
0087	E	VTVT63023		SCREW TCEI M 5X12 ZC	1,00		--	
0088	E	MPVR84088		CONVEYOR A400/H121	1,00		--	
0089	E	MPVR92110		SPACER MOT.MEC80 G150	1,00		--	
0090	E	VTVT63001		SCREW TRU TC CR. 4 X30 ZINC.	1,00		--	
0091	E	VTRS63230		WASHER D. 4 X12	3,00		--	
0092	E	RCDS82462		BUSHING LEVA COMANDO MICRO	1,00		--	
0093	E	LAFN82461		TRIGGER MICRO TS	1,00		--	
0094	E	MEVR90388		FAIR-LEAD GOMMA 9/14/18-3	1,00	11/2004	--	
0095	E	MPVR93810		GUDGEON MICRO 5X13,5 PL S2	1,00		--	
0097	E	MECI61599		SWITCH AQUA 3022/31 A PL	1,00	11/2004	--	
0098	E	MPVR91921		BUSHING SCAT.EL. SERIE "G"	1,00	11/2004	--	
0099	E	MECB81327		CABLE H07 RNF 3X1.5 MT 5.5 S2	1,00		--	
0100	E	MEVR61843		LOCKNUT PG 11	1,00	11/2004	--	
0101	E	MECB81327		CABLE H07 RNF 3X1.5 MT 5.5 S2	1,00	11/2004	--	
0102	E	MEVR40210		FAIR-LEAD D. 10 HMM	1,00	11/2004	--	
0103	E	VTVT01516		SCREW TCB TC 3.9X16	2,00		--	
0104	E	MECO61715		CAPACITOR 40 MF D. 45X 95 FASTON	1,00	11/2004	--	
0105	E	GUGO25526		O-RING D. 37.82 X 1.78 NBR 70SH	1,00		--	
0106	E	MPVR41620		PROTECTOR S.T-STOP FP	1,00	11/2004	--	
0107	E	MECI90217		MICROSWITCH 20A F.C/L XG02-86	1,00		--	
0109	E	MPVR60093		BOX H130 S2 HOBBY	1,00		--	
0110	E	MORT91939		EL.MOT. ROTOR CPL 65X 20 H110 G6	1,00	10/2004	--	
0111	E	MFVR91808		SHIELD ANT. "G160"	1,00		--	
0112	E	VTVT90541		SCREW TCEI M 6X20 ATF TRIL.	3,00		--	
0113	E	MOST84203		EL.MOT. STATOR 125X65H110 230/50CF M6	1,00		--	
0114	E	CUVR53295		BALL BEARING 6003 2Z ZKL	1,00		--	
0115	E	PVVR63537		OIL SEAL 17X 28X 7-NBR HOBBY 90	1,00		--	
0116	E	CUVR53307		BALL BEARING 7303 B	1,00		--	
0117	E	MFVR58080		CAP 8° 30" HOBBY 90	1,00		--	
0118	E	MEVR67433		FAIR-LEAD DR10/14/18-3	2,00	12/2004	--	
0119	E	MEVR61916		FASTON COVER F 6,3 UL	4,00		--	



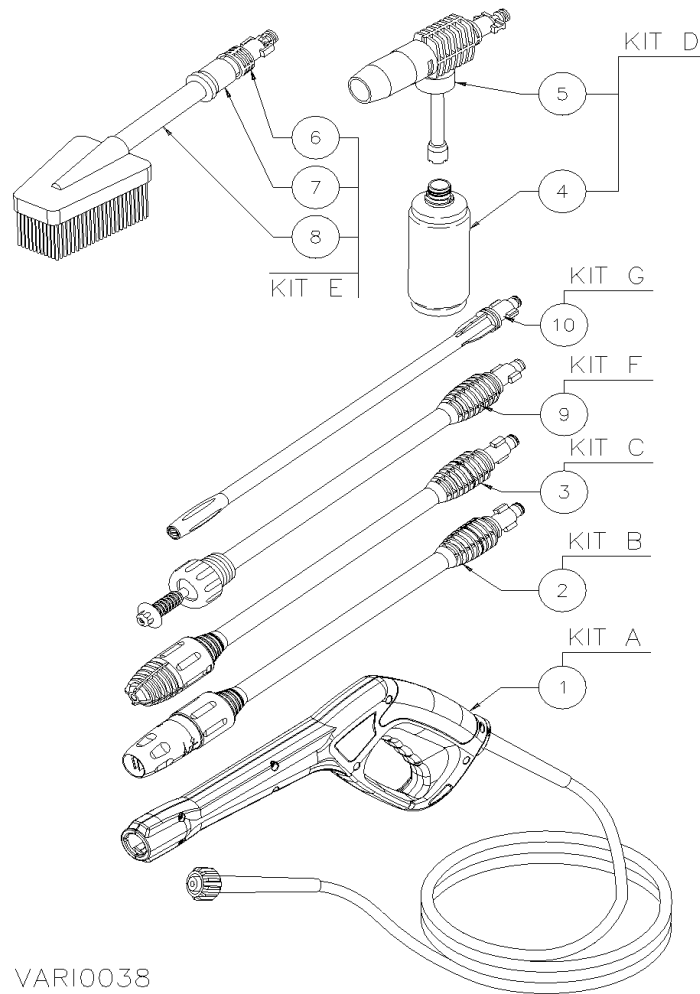
DIS01076

Ref. Part N.	Cust. Part N.	Description	Reference	Price
K 1	KTRI93434	SCREW KIT F 30-009 (50 PZ)	0001	--
K A	KTRI93402	MANIFOLD KIT F 14-014 G150 (5 PZ)	0008 0009 0010 0011 0012 0013 0014 0015 0016 0017 0018 0019 0020 0021 0022 0023 0024 0025 0026 0027 0028 0029 0030 0031 0032 0034 0035 0037 0038 0039 0040 0041 0042 0043 0044 0045 0048 0065	--
K B	KTRI93403	CONTROL BOARD KIT F 37-041 G150+SCH (2P)	0075 0076 0082 0083 0084 0094 0097 0098 0099 0100 0101 0102 0103 0104 0105 0106 0118 0119	--
K C	KTRI93404	CONTROL BOARD KIT F 37-041 G150+SCH (2P)	0072 0073 0074 0075 0077 0078 0079 0080 0081 0090 0091 0092 0093 0095 0107 0108 0109	--
K D	KTRI82810	QUICK SOCKET KIT 560 (20 PZ)	0046 0047	--
K E	KTRI82808	SMALL VALVE KIT 558 (30 PZ)	0003 0004 0005 0006 0007 0050	--
K F	KTRI93405	HEAD KIT F 15-041 "G" OT (1PZ)	0001 0002 0049 0061	--
K G	KTRI93406	INTAKE CONNECT.KIT F 15-042 "G" (1 PZ)	0062 0063 0064	--
K H	KTRI93407	CRANKCASE F 15-043 "G150" (5PZ)	0052 0053 0054 0055 0056 0057 0066 0067 0068 0069 0070 0071	--
K I	KTRI82812	ROLLER BEAR.DISKIT 562 (10 PZ)	0058 0059 0060	--
K M	KTRI82834	CONVEYOR KIT 573 (1 PZ)	0085 0086 0087 0088	--
K N	KTRI93409	CONVEYOR KIT F24-053 DIST."G"(5PZ)	0089	--
K O	KTRI93408	MOTOR KIT F37-043 230/50 (1 PZ)	0110 0111 0112 0113 0114 0115 0116 0117	--
K Q	KTRI83741	CABLE KIT 742 F140 (1PZ)	0100 0101 0102	--
K S	KTRI83170	SMALL VALVE KIT 613 (30 PZ)	0050 0051	--
K 12	KTRI93273	ANTI-EXTR.RING KIT F 15-033 (50 PZ)	0012	--
K 15	KTRI93430	O-RING KIT F 15-044 (50 PZ)	0015	--
K 16	KTRI93431	O-RING KIT F 15-045 (50 PZ)	0016	--
K 25	KTRI93278	O-RING KIT F 15-038 (50 PZ)	0025	--
K 26	KTRI93279	O-RING KIT F 15-039 (50 PZ)	0026	--
K 34	KTRI93432	O-RING KIT F 9-001 (20 PZ)	0034	--
K 43	KTRI93609	SCREW KIT F 30-015 (50 PZ)	0043	--
K 53	KTRI93275	O-RING KIT F 15-035 (50 PZ)	0053	--
K 54	KTRI93276	O-RING KIT F 15-036 (50 PZ)	0054	--
K 61	KTRI93433	O-RING KIT F 15-046 (60 PZ)	0061	--
K 65	KTRI93277	O-RING KIT F 15-037 (50 PZ)	0065	--
K 66	KTRI84064	CAP KIT 869 OIL 3/8G (20 PZ)	0066	--
K 67	KTRI93436	SCREW KIT F 30-010 (50 PZ)	0067	--
K 75	KTRI93435	SHEATH+CORD KIT F 24-054 (10MT)	0075	--
K103	KTRI84048	SCREW KIT 853 (50 PZ)	0103	--
K104	KTRI84068	CAPACITOR KIT 873 40 MF (10 PZ)	0104	--
K106	KTRI92767	PROTECTOR KIT F 24-039 (50 PZ)	0106	--
K107	KTRI84043	MICROSWITCH KIT 848 (30 PZ)	0107	--
K112	KTRI84025	SCREW KIT 830 (50 PZ)	0112	--



VARI0038

Ref.	K	Part N.	Customer Part N.	Description	Qty	Validity:		Price
						From	To	
0001	E	IPPR93821		GUN P2006 S/TUBO 150B OT	1,00			--
0001	E	TBAP93809		H.P. HOSE TES 1/4 150B MT 8	1,00			--
0002	E	LCTE92624		LANCE MRG P2004 1,25 150B	1,00			--
0003	E	LCTE92741		LANCE TRB P2004 1,25 150B	1,00			--



VARI0038

Ref. Part N.	Cust. Part N.	Description	Reference	Price	
K A	KTRI93634	GUN	KIT F26-016 P2006+8M (1P)	0001 0001	--
K B	KTRI93329	LANCE	KIT F31-031 MRG 1,25(1PZ)	0002	--
K C	KTRI93328	HEAD	KIT F31-030 P2004 1,25	0003	--