



IPC Integrated Professional Cleaning

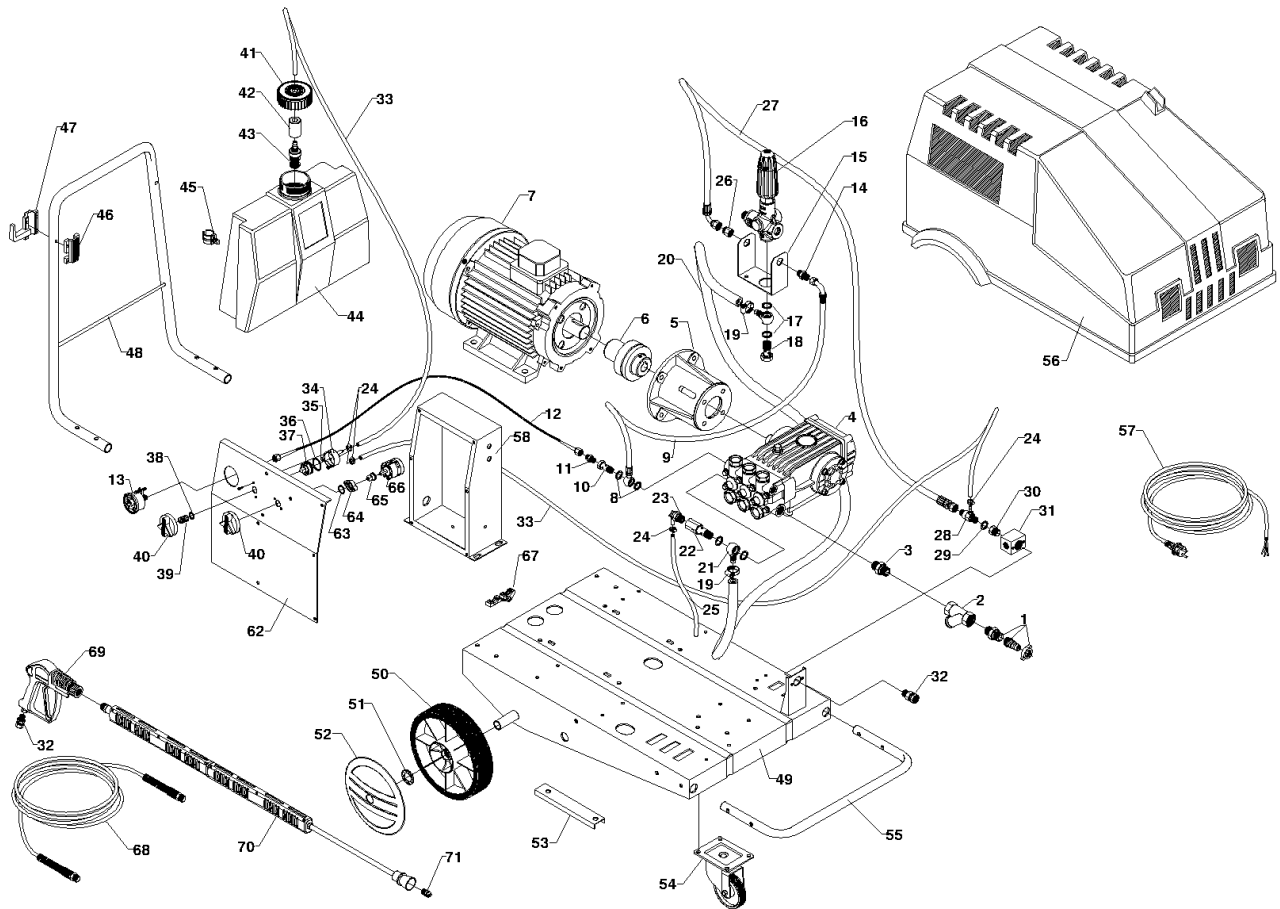
IPCPortotecnica

Spare Parts List

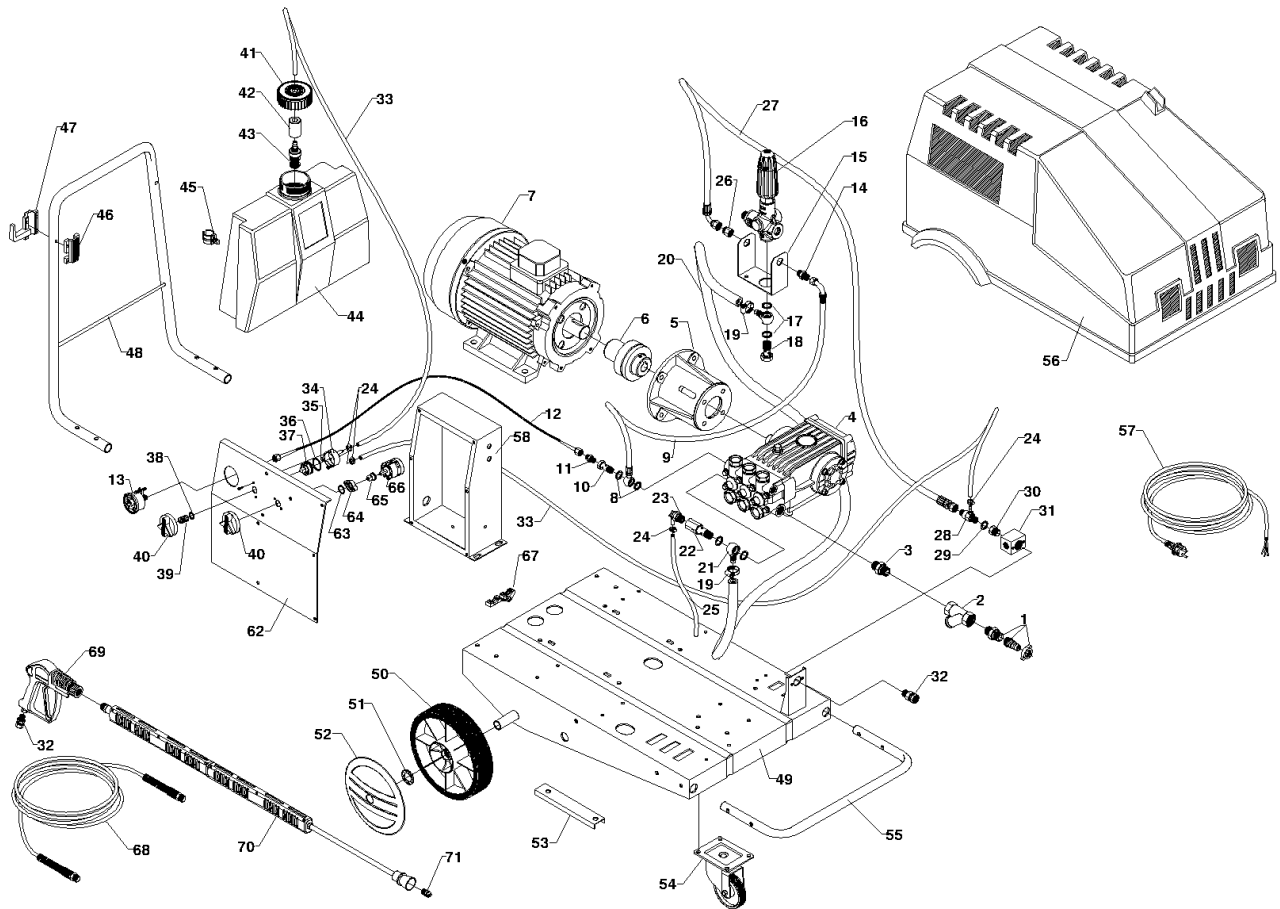
PORTOTECNICA

Ref: IDAF43212

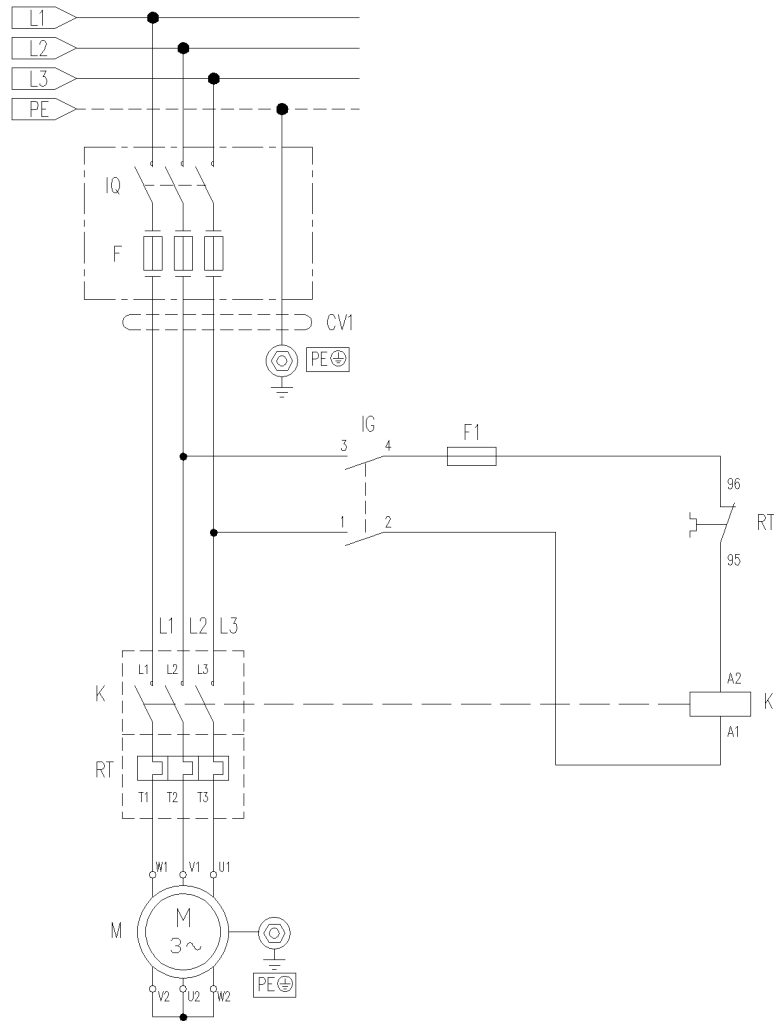
Model: IDROP SIBI MAX 5160 T 400/50 3-01PRT



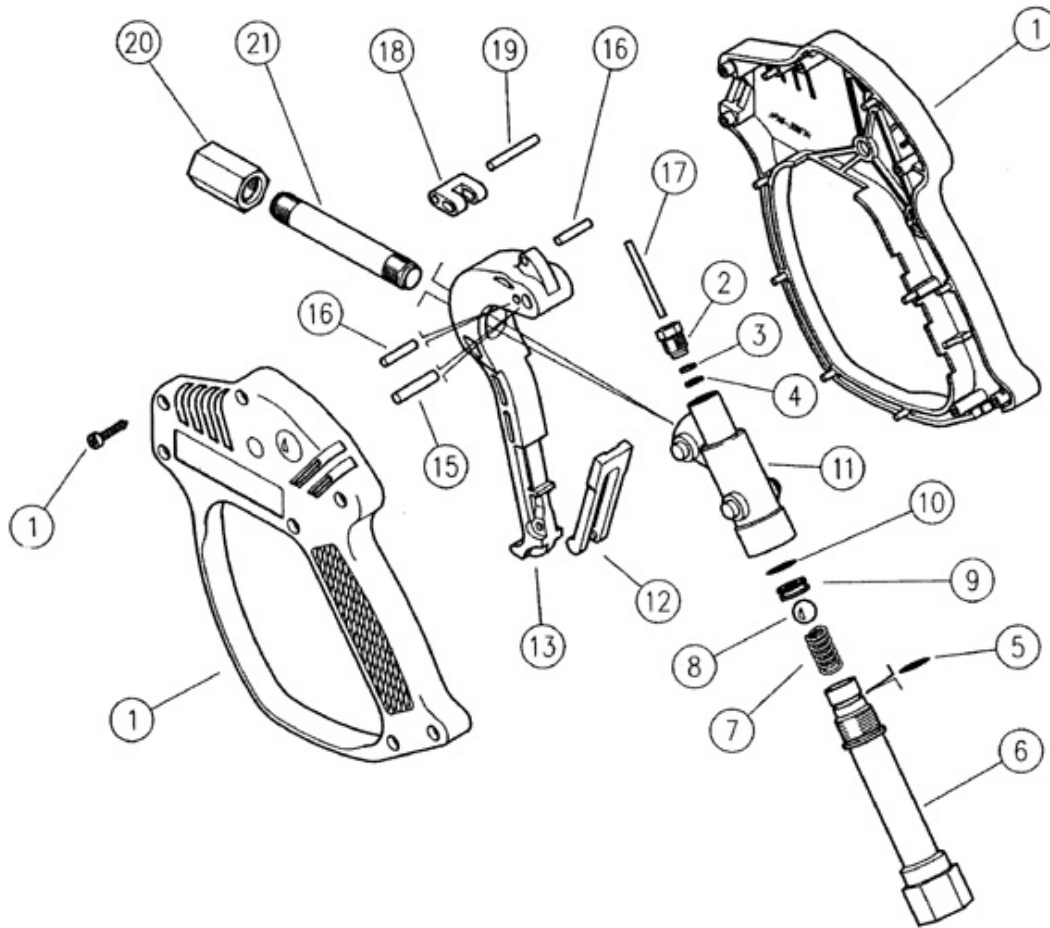
Ref. K	Part N.	Customer Part N.	Description	Qty	Validity:		Price
					From	To	
0001	RCVR00636		HOSE FITTING 3/4 M 3PZ 0° D.18	1,00	03/1999		--
0002	FTAC33904		FILTER 3/4 F/F 2.VERS.	1,00	02/2000		--
0003	RCDS00602		NIPPLE 3/4 - 1/2 CN D.13.5	1,00	04/2000		--
0004	PPAP42705		PUMP T 5050 SX LT 18 -350 BAR	1,00	02/2000		--
0005	MFVR10551		FLANGE HP10 WS202	1,00	02/2000		--
0006	FGGT05728		FLEX. COUPLING HP10 G112 24-38	1,00	02/2000		--
0007	MOTR42706		3PH MOTOR B3-B14 HP15 50HZ 230-400V	1,00	06/2000	06/2005	--
0007	MOTR88937		3PH MOTOR B3-B14 HP15 50 200-440 ED	1,00	06/2005		--
0008	VTRS00548		WASHER D.17,5X22X1,5 (3/8)RM	2,00	02/2000		--
0009	TBAP30409		HOSE-FITTING 3/8 R2 L=480 3/8F90-3/8O	1,00	05/2000		--
0010	RCDS07931		SCREW G 3/8 + 1/4F A.P.	1,00	05/2000		--
0011	RCDS00607		NIPPLE 1/4 - 1/4 SV	1,00	05/2000		--
0012	TBAP07354		POLYAMIDE HOSE L=630 1/4-1/4 F-F	1,00	05/2000		--
0013	MNMN62122		PRESSURE GAUGE D.50 0-400BAR	1,00	05/2000		--
0014	RCDS00611		NIPPLE 1/2 - 3/8 SV	1,00	05/2000		--
0015	LAFN42858		SUPPORT K9 S.MAX	1,00	05/2000	10/2005	--
0015	LAFN89454		SUPPORT H440 S.MAX	1,00	10/2005		--
0016	VVAZ42704		VALVE IP K9	1,00	05/2000	10/2005	--
0016	VVAZ88613		VALVE IP H440 0-400B 40LT	1,00	10/2005		--
0017	VTRS12491		WASHER 1/2	4,00	05/2000		--
0018	RCDS33982		SCREW 1/2 C/SC. L=41.5 D.13.5	1,00	05/2000		--
0019	FSVR00431		CLAMP D. 16-25	2,00	05/2000		--
0020	TBBP00055		L.P. HOSE D.15-23 10BAR AY TOK.	0,40	05/2000		--
0021	RCDS33986		CONNECTOR O. 1/2 C/PO 10.5-17 OT.	2,00	05/2000		--
0022	RCDS39800		SCREW G 1/2 V.TRM D.10	1,00	05/2000		--
0023	VVSC40550		VALVE 1/2" 63°C	1,00	05/2000		--
0024	FSVR00427		CLAMP D. 12 CLIC 66-110	2,00	03/1999		--
0025	TBBP00051		DETERGENT HOSE D. 6-12	1,20	03/1999		--
0026	RCDS04879		SLEEVE 1/2 M/F L= 20/35	1,00	05/2000		--
0027	TBAP42855		HOSE-FITTING 3/8 R2 L=560 3/8F-1/2F90	1,00	05/2000		--
0028	EIDT74704		EJECTOR 3/8 PA M/M D. 2.1 INX	1,00	06/2000		--
0030	RCVR00646		REDUCTION 1/2-3/8 M/F	1,00	06/2000		--
0031	RCDS39897		BLOCK 3VIE 3/8 F/F 1/2F	1,00	06/2000		--
0032	RCVR00563		SWIVEL RACCORD 3/8 M/F	1,00	02/2000		--
0034	RCGR08069		TAP BODY DET. PRT	1,00	03/1999		--
0035	GUGO08071		O-RING D. 4.48 X 1.78 NBR 70SH	1,00	03/1999		--
0036	GUGO12183		O-RING D. 23.4 X 3.53 VIT 70SH	1,00	03/1999		--
0037	RCGR08070		ADJUSTER PRT	1,00	03/1999		--
0038	VTRS00542		WASHER D.14X20	1,00	05/2000		--



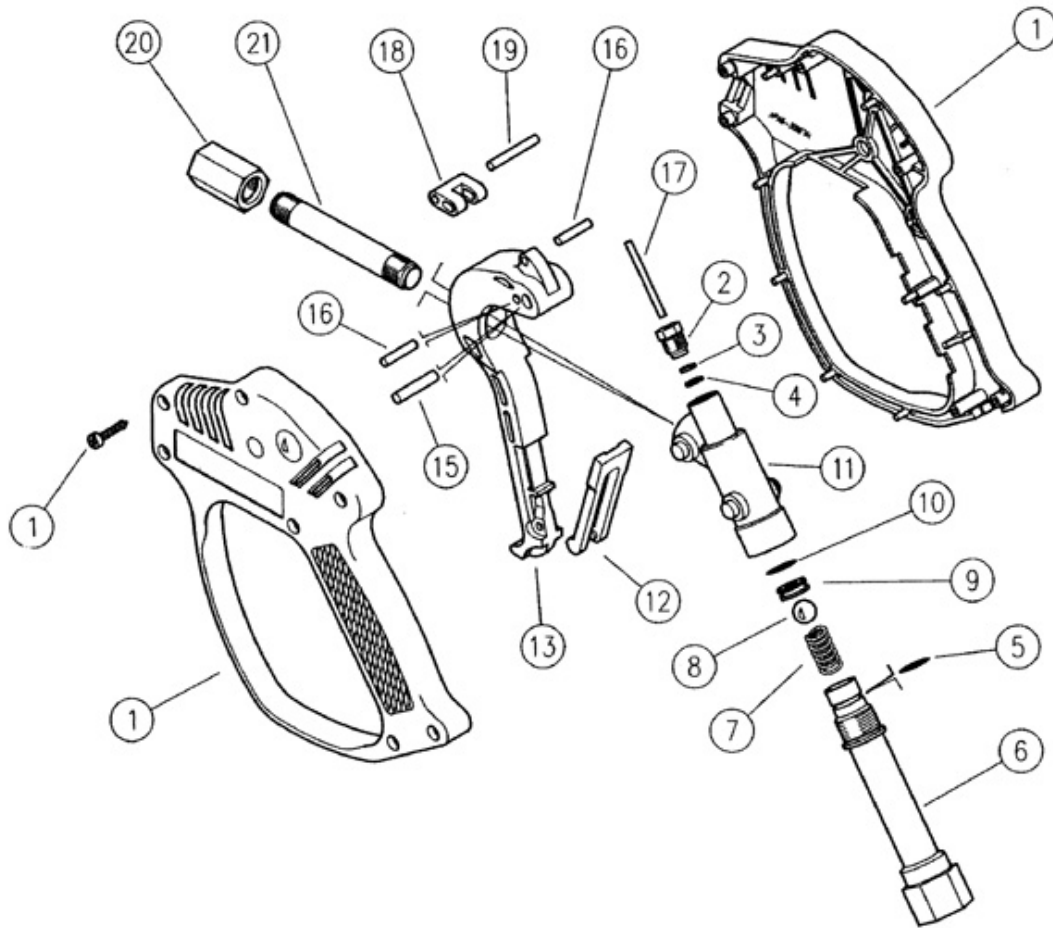
Ref. K	Part N.	Customer Part N.	Description	Qty	Validity:		Price
					From	To	
0039	MLML08068		SPRING D.1,5 L.23	1,00	05/2000		--
0040	MPVR25533		GREY KNOB PRT-AC	1,00			--
0042	RCDS15346		WEIGHT DET.	1,00	05/2000		--
0043	FTDT04648		FILTER PG. D.6 PLS	1,00	05/2000		--
0044	LAFN11573		DETERGENT TANK SIBI MAX	1,00	02/2000		--
0045	MPVR10090		TANK CLIP D.22	2,00	05/2000		--
0046	MPVR12894		LANCE REST D.22 F.	2,00	03/1999		--
0047	MPVR12893		LANCE REST D.22 S.	2,00	03/1999		--
0048	LAFN11570		HANDLE SIBI MAX	1,00	02/2000		--
0049	LAFN11564		CHASSIS SIBI MAX	1,00	05/2000		--
0050	RTRT24320		WHEEL D.250-D.25 RT-PRT	2,00	05/2000		--
0051	VTRS09813		WASHER D.25	2,00	05/2000		--
0052	MPVR25910		RED WHEEL COVER. 250 RT/PRT	2,00	02/2000		--
0053	LAFN13442		REINFORCEMENT SIBI MAX 21.200	2,00	05/2000		--
0054	RTRT25520		TURNING WHEEL D.150 P+FR. MZ.PL.	1,00	05/2000		--
0055	LAFN11590		BUMPER SIBI MAX	1,00	02/2000		--
0056	MPVR42854		RED COVER SIBI MAX 4375 ABS	1,00	02/2000		--
0057	MECB35798		CABLE H07 RNF 4X4 L. 6500	1,00	09/2000		--
0058	LAFN11584		CONTROL BOX SIBI MAX	1,00	02/2000		--
0059	LAFN21810		BRACKET CEC	1,00	02/2000		--
0062	LAFN32545		FRONT PANEL S.MAX DS	1,00	02/2000		--
0063	GUGO25527		O-RING D. 14 X 3 NBR 70SH	1,00	02/2000		--
0064	MPVR23487		THICKNESS THERM. - INT. TUV	1,00	02/2000		--
0065	MPVR23482		TAIL PIECE TEC. TUV	1,00	02/2000		--
0066	MECI01884		SWITCH TEC 12A HD1202 R000	1,00	02/2000		--
0067	MEVR13076		CABLE FASTNER D.14 50X20X36	1,00	05/2000		--
0068	TBAP08543		H.P. HOSE R2 MT 10 3/8"	1,00	02/2000		--
0069	IPIP42787		GRIP RL 55 +AR M24 +3/8F SW.	1,00	02/2000		--
0070	LCLC42786		LANCE L=105 S3 350B.IX-1/4+AR8A	1,00	02/2000		--
0071	UGLN11195		NOZZLE LECH 1/4 25035	1,00	02/2000	07/2006	--
0071	UGLN49990		NOZZLE LECH 1/4 25034	1,00	07/2006		--



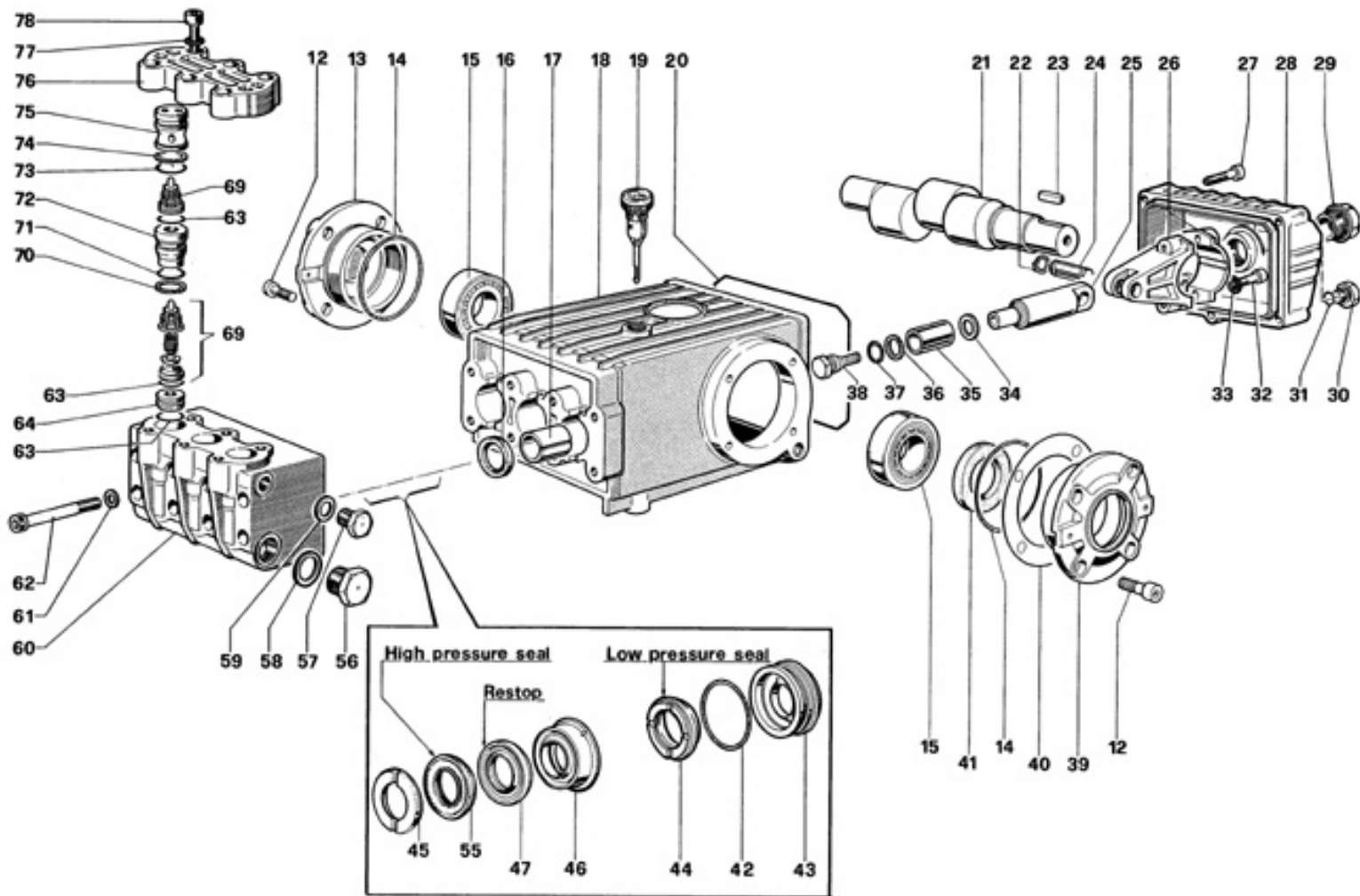
Ref.	K	Part N.	Customer Part N.	Description	Qty	Validity:		Price
						From	To	
K		METT24500		CONTACTOR SIE 3TF 4310 OAOQ0-380V 50	1,00			--
K		METT24500		CONTACTOR SIE 3TF 4310 OAOQ0-380V 50	1,00	02/2000	09/2001	--
K		METT45023		CONTACTOR SIE 3RT 1026 1AV00 400V 5	1,00	10/2001		--
M		MOTR42706		3PH MOTOR B3-B14 HP15 50HZ 230-400V	1,00			--
F1		MEVR02824		FUSE 5X20 1A	1,00	02/2000		--
IG		MECI01884		SWITCH TEC 12A HD1202 R000	1,00			--
RT		METT24504		THERMAL RELAY SIE 3UA5200-2C 16 -25 A	1,00			--
RT		METT24504		THERMAL RELAY SIE 3UA5200-2C 16 -25 A	1,00	02/2000	09/2001	--
RT		METT45033		THERMAL RELAY SIE 3RU1126-4DB0 20-25 A	1,00	10/2001		--
CV1		MECB35798		CABLE H07 RNF 4X4 L. 6500	1,00			--



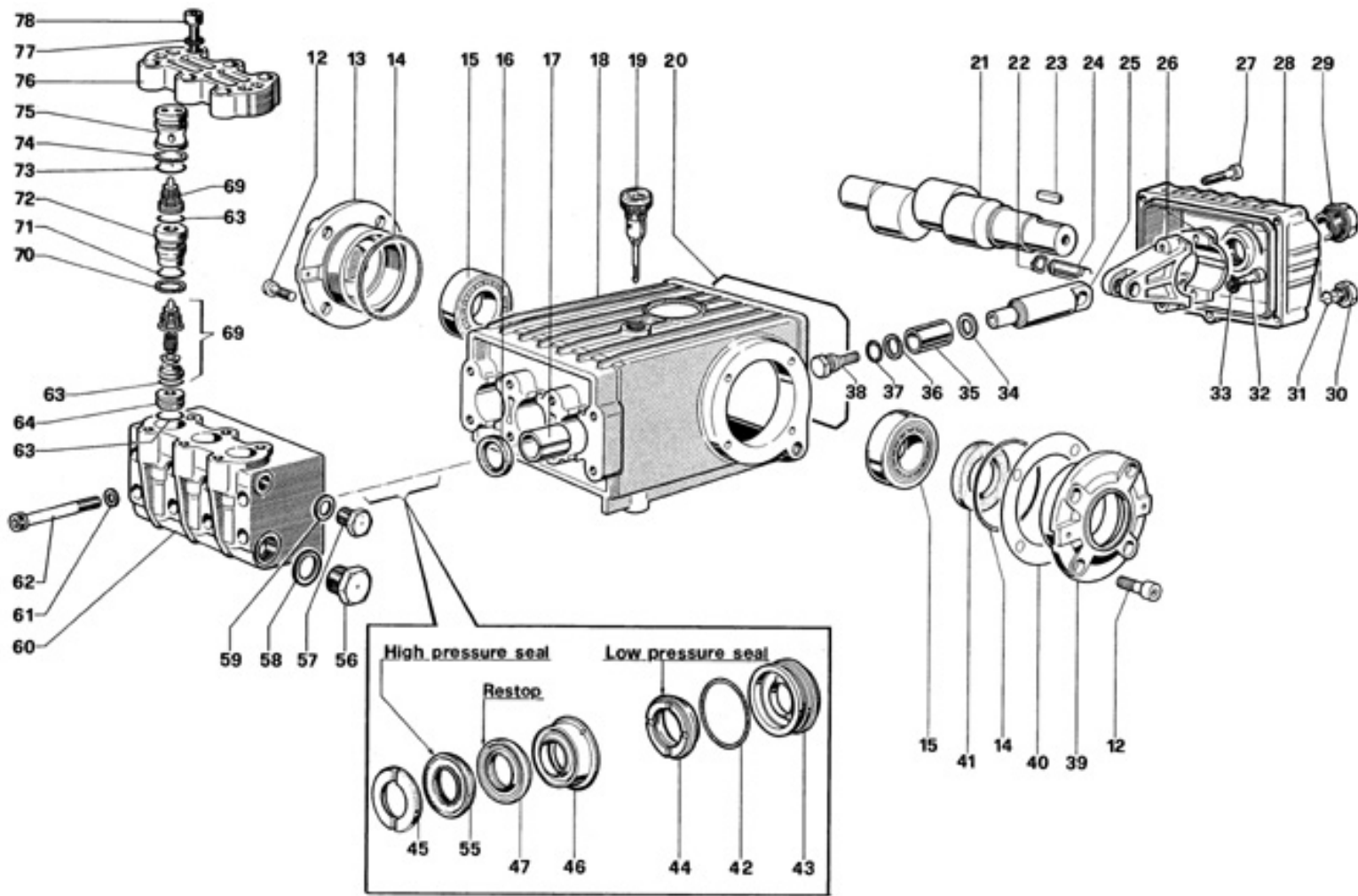
Ref. K	Part N.	Customer Part N.	Description	Qty	Validity:		Price
					From	To	
0001	MPVR43330		LANCE SHELL RL50 2PZ.	1,00			--
0002	RCDS43331		CAP M 10X1 RL55	1,00			--
0003	S GUVR43332		ANTI-EXTR.RING D. 3.2X 7.5	1,00			--
0004	S GUGO17952		O-RING D. 2.84 X 2.62 NBR 70SH	1,00			--
0005	S GUGO11652		O-RING D. 12.42 X 1.78 NBR 70SH	1,00			--
0006	PVVR43333		TUBE G 1/4" +RCC 3/8F	1,00			--
0007	MLML43334		SPRING D.10.3X26 RL 55	1,00			--
0008	S SFVR06779		BALL INOX 11/32	1,00			--
0009	S PVVR21258		SEAT D.6	1,00			--
0010	S GUGO19194		O-RING D. 11.11 X 1.78 NBR 70SH	1,00			--
0011	PVVR43335		GUN BODY RL55	1,00			--
0012	MPVR38722		SAFETY-DEVICE RL25	1,00			--
0013	MPVR43336		TRIGGER RL55	1,00			--
0015	VTVR43337		PIN D. 5 X 33 RL55	1,00			--
0016	VTVR07058		PLUG D. 4X20 HM	2,00			--
0017	S PVVR43338		SMALL PISTON RL55 D. 3X38	1,00			--
0018	MPVR43339		CONNECTING ROD RL55	1,00			--
0019	VTVR43340		PIN D. 4 X 29 RL55	1,00			--
0020	PVVR43341		COUPLING G 1/4F RL55	1,00			--
0021	PVVR43342		TUBE G 1/4 RL55	1,00			--



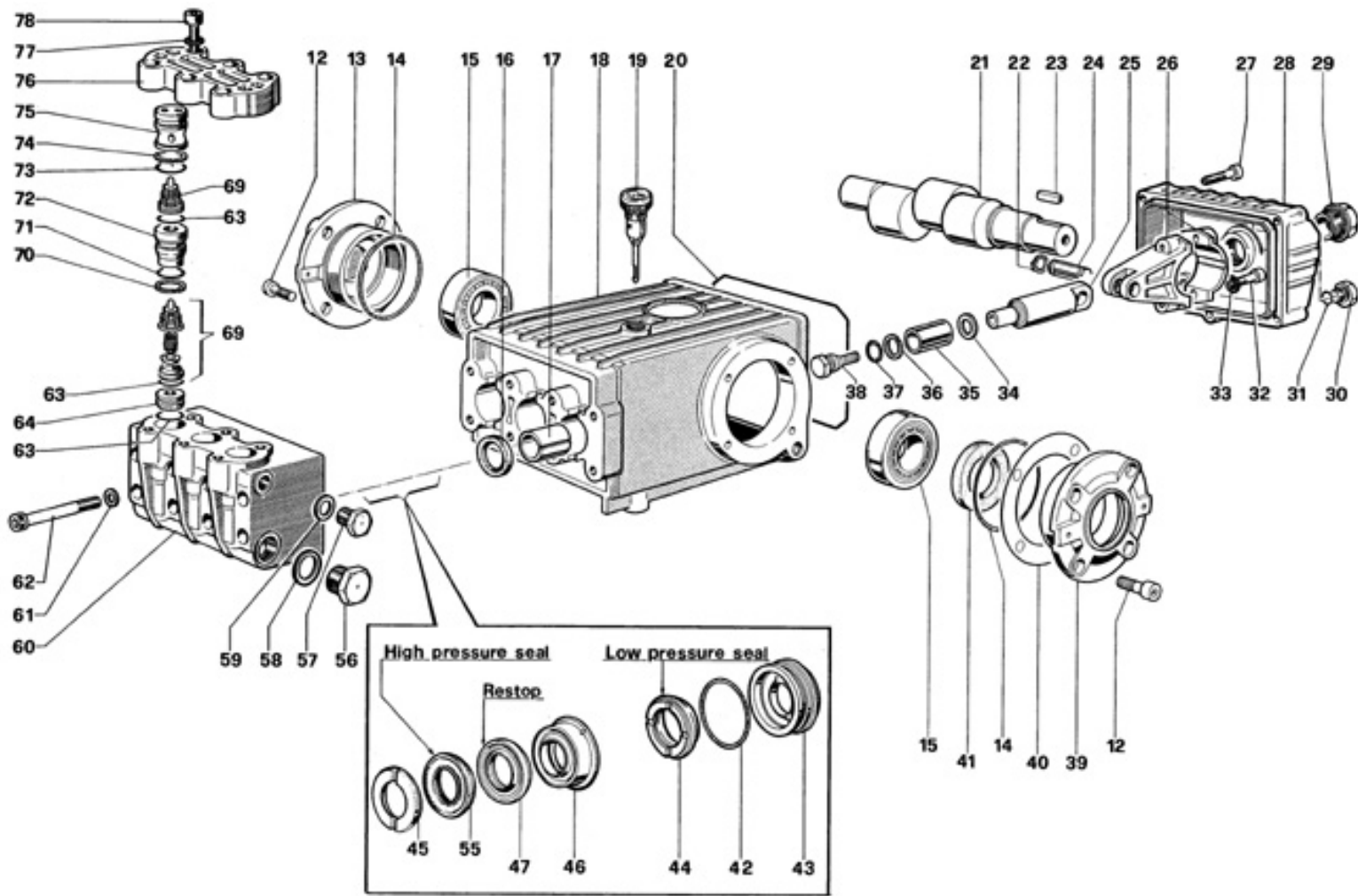
Ref. Part N.	Cust. Part N.	Description	Reference	Price
KTRI43343		KIT P 26- 18	0003 0004 0005 0008 0009 0010 0017	--



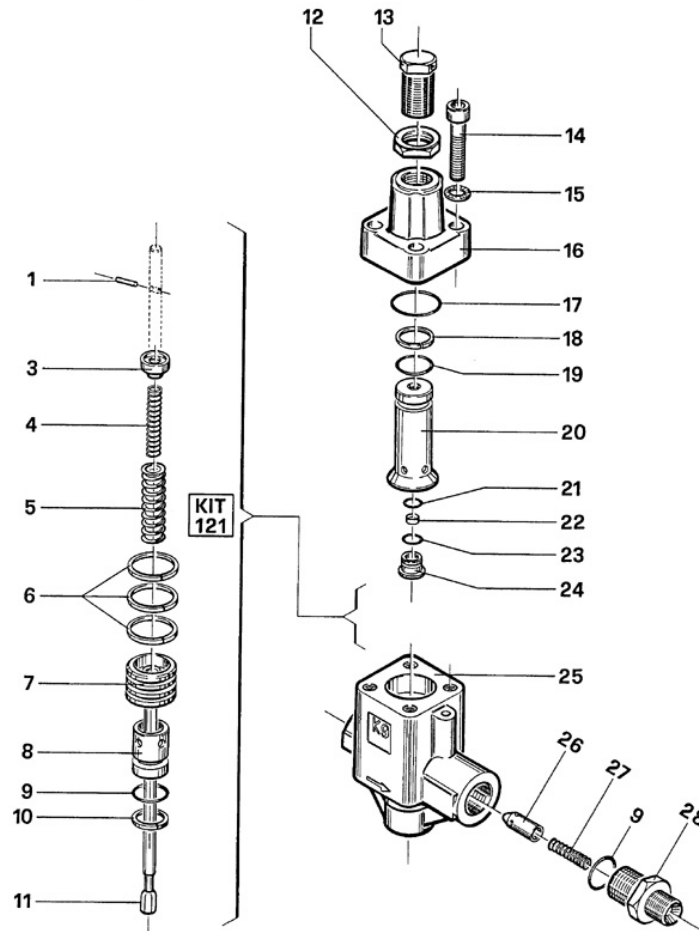
Ref.	K	Part N.	Customer Part N.	Description	Qty	Validity: From To	Price
0012		VTVT01118		SCREW TCEI M 8X16 ZC. UNI 5931	8,00		--
0013		MFVR03576		CRANKCASE COVER W151	1,00		--
0014		GUGO01041		O-RING D. 67.95 X 2.62 NBR 70SH	2,00		--
0015		CUVR09205		ROLLER BEARING 32206 A	2,00		--
0016	S	GUGO01000		OIL SEAL 22X 32X 5.5 NBR70	3,00		--
0017		PVVR01011		BUSHING W 151	3,00		--
0018		MFVR43278		PUMP CRANKCASE T 5050	1,00		--
0019		PVVR01092		OIL DIPSTICK W 151	1,00		--
0020		GUGO34590		O-RING D. 133.02 X 2.62 NBR 70SH	1,00		--
0021		ALMO43279		SHAFT T 5050 USA	1,00		--
0022		VTAE14016		CIRCLIP D. 12 UNI 7435	6,00		--
0023		VTVR41531		KEY 8X 7X35 UNI 6604A	1,00		--
0024		PVVR01085		GUDGEON D.13X35 W151	3,00		--
0025		PVVR43280		PISTON GUIDE W 928	3,00		--
0026		BLVR01009		CONNECTING ROD W 151	3,00		--
0027		VTVT01116		SCREW TCEI 6X30 UNI5931	5,00		--
0028		MFVR03582		CRANKCASE COVER W 151 POS	1,00		--
0029		PVVR01083		OIL INDICATOR G 3/4 W70-151	1,00		--
0030		RCDS01088		CAP 1/4X 9 M WW90	1,00		--
0031		GUGO01036		O-RING D. 10.82 X 1.78 NBR 70SH	1,00		--
0032		VTVT01120		SCREW TCEI 8X35 UNI5931	6,00		--
0033		VTRS14242		WASHER D. 8.4X13X0.8 UNI7064 SCH	6,00		--
0034		LAFN43281		SPACER D. 11-15.5 L=2.5 OT	3,00		--
0035		PIVR76498		PISTON D.16X49 W 928	3,00		--
0036	S	GUVR09753		ANTI-EXTR.RING D. 8 X11X1.5	3,00		--
0037	S	GUGO08603		O-RING D. 7.66 X 1.78 VIT 70SH	3,00		--
0038	S	PVVR43282		PISTON BOLT IP D.16	3,00		--
0039		MFVR03583		CRANKCASE COVER W151	1,00		--
0040		PVVR01016		THICKNESS 0,1 W 151	2,00		--
0041	S	GUGO01003		OIL SEAL 30X 55X 7 NBR70	1,00		--
0042	S	GUGO01042		O-RING D. 34.6 X 1.78 NBR 70SH	3,00		--
0043	S	PVVR43283		PACKING RETAIN.T5050 D.16	3,00		--
0044	S	GUVR43284		PACKING D. 16 L.P.	3,00		--
0045	S	PVVR43285		HEAD RING W 928 D. 16	3,00		--
0046	S	PVVR43286		INTERMED. RING W 928 D. 16	3,00		--
0047	S	GUVR43287		PACKING D. 16 RESTOP	3,00		--
0055	S	GUVR43288		PACKING D. 16 H.P.	3,00		--
0056		RCDS01091		CAP 1/2X10 M	1,00		--
0057		RCDS01090		CAP 3/8X13 M WW90	1,00		--



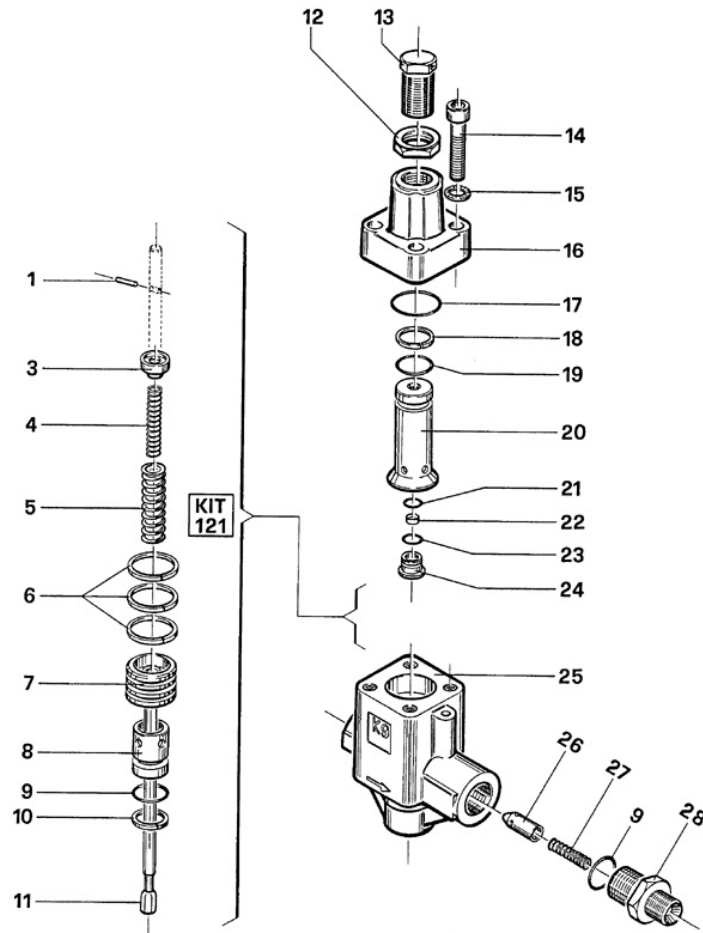
Ref. K	Part N.	Customer Part N.	Description	Qty	Validity:		Price
					From	To	
0058	VTRS00549		WASHER D.21,5X27X1.5 (1/2) RM	1,00			--
0059	VTRS00548		WASHER D.17,5X22X1,5 (3/8)RM	1,00			--
0060	MFVR43305		HEAD T 5050 OT58	1,00			--
0061	VTRS01072		WASHER D. 8 TC	8,00			--
0062	VTVT43289		SCREW TCEI M 8X100 UNI 5931	8,00			--
0063	GUGO01032		O-RING D. 17.13 X 2.62 NBR 70SH	9,00			--
0064	PVVR43290		SPACER BY-PASS	3,00			--
0069	S VVAM43291		VALVE UNIT T 5050	6,00			--
0070	GUVR16318		ANTI-EXTR.RING D. 17.86 X 2.62	3,00			--
0071	GUGO03502		O-RING D. 17.86 X 2.62 NBR 70SH	3,00			--
0072	PVVR43292		BUSHING BY-PASS	3,00			--
0073	GUGO01219		O-RING D. 20.22 X 3.53 NBR 70SH	3,00			--
0074	GUVR43293		ANTI-EXTR.RING D.22,3X28X1,5	3,00			--
0075	PVVR43294		CAP D. 28 BY-PASS	3,00			--
0076	MFVR43295		VALVE COVER T 5050	1,00			--
0077	VTRS31873		WASHER D.12 X18X1.1 SCHNORR	6,00			--
0078	VTVT43296		SCREW TCEI M12X30 UNI 5931	6,00			--



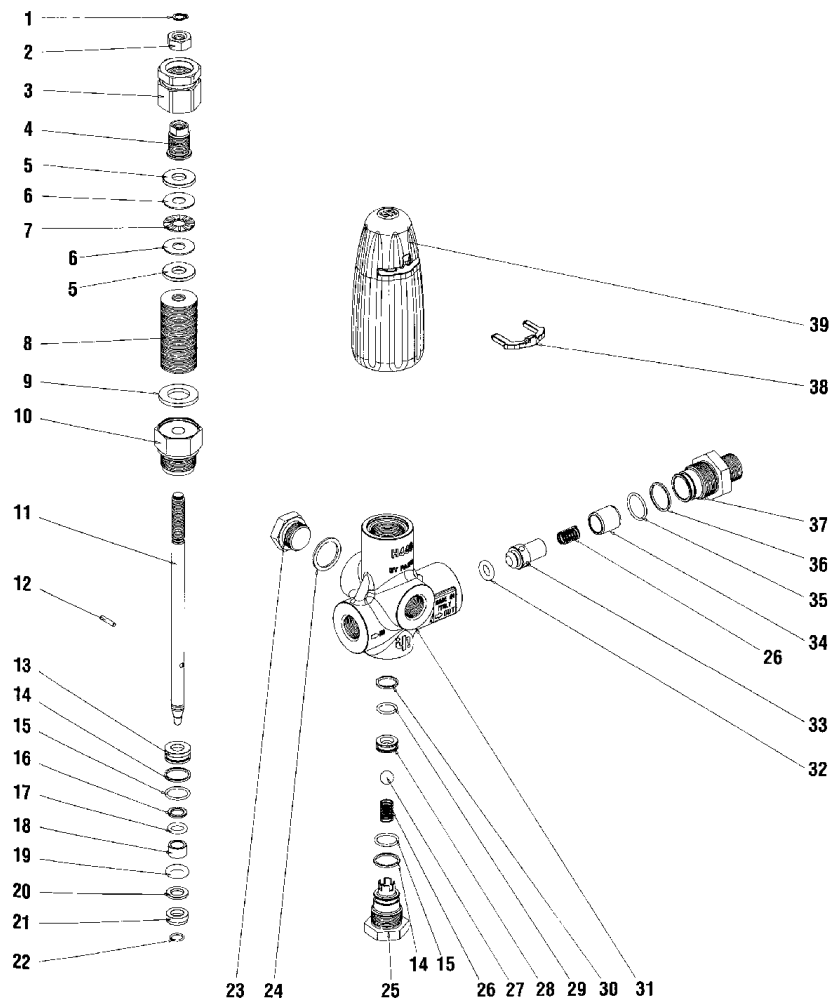
Ref. Part N.	Cust. Part N.	Description	Reference	Price
KTRI14900		KIT P 15- 3	0041	--
KTRI17860		KIT P 2	0016	--
KTRI43297		KIT P 15-110	0046	--
KTRI43298		KIT P 15-150	0069	--
KTRI43299		KIT P 15-151	0042 0043 0044 0045 0046 0047 0055	--
KTRI76428		KIT P 15-107	0036 0037 0038	--
KTRI76430		KIT P 15-108	0045	--
KTRI76431		KIT P 15-109	0044 0047 0055	--



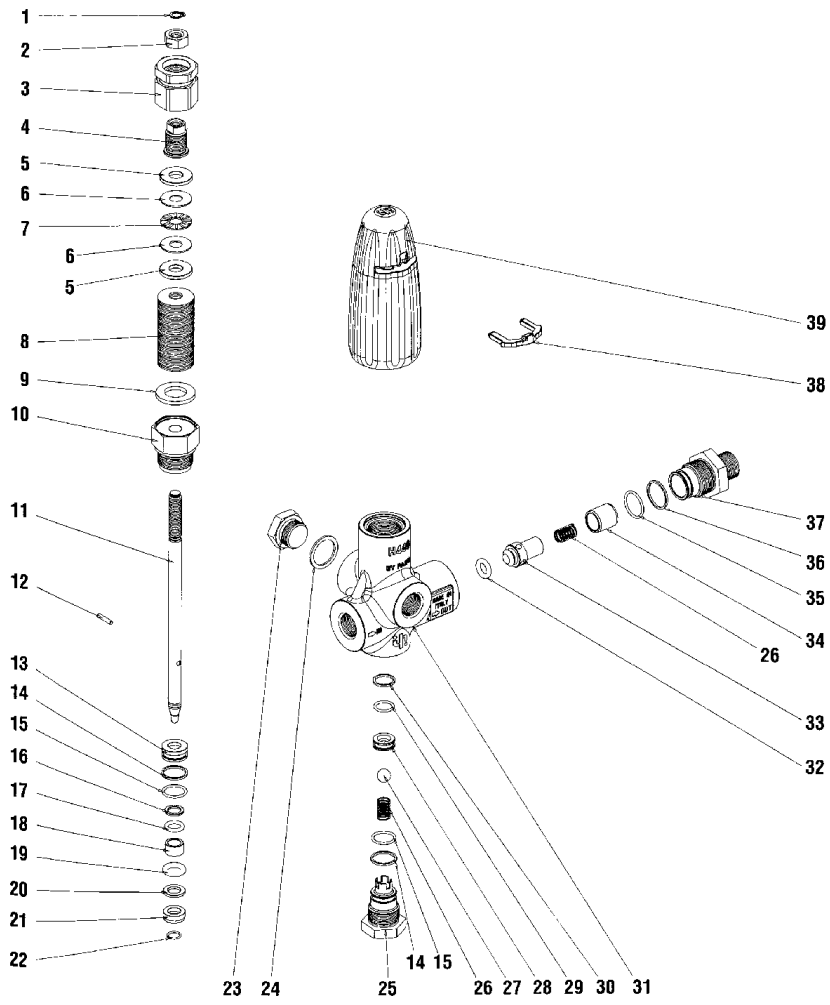
Ref.	K	Part N.	Customer Part N.	Description	Qty	Validity:		Price
						From	To	
0001	S	VTVR11659		PLUG D. 3 X14.5	1,00			--
0003	S	PVVR43306		SPRING PLATE K9	1,00			--
0004	S	MLML43307		SPRING D.10 X57 K9	1,00			--
0005	S	MLML43308		SPRING D.16.5 X56 K9	1,00			--
0006	S	GUVR43309		SPLIT RING D. 35 K9	3,00			--
0007	S	PVVR43310		CONTROL PISTON K9	1,00			--
0008	S	PVVR43311		VALVE SEAT K9	1,00			--
0009	S	GUGO19395		O-RING D. 20.24 X 2.62 NBR 70SH	2,00			--
0010	S	GUVR43312		ANTI-EXTR.RING D.21 X25 X2	1,00			--
0011	S	PVVR43313		PUSH ROD K9	1,00			--
0012		VTDD43314		NUT M22X1.5 K9	1,00			--
0013		PVVR43315		REGULAT. SCREW K9	1,00			--
0014		VTVT11956		SCREW TCEI M10X45 W134	4,00			--
0015		VTRS04818		WASHER D.10.5	4,00			--
0016		PVVR43316		VALVE BODY K9 S.	1,00			--
0017		GUGO31518		O-RING D. 31.42 X 2.62 NBR 70SH	1,00			--
0018		GUVR43317		ANTI-EXTR.RING D.22.5	1,00			--
0019		GUGO76541		O-RING D. 22.22 X 2.62 VIT 70SH	1,00			--
0020		PVVR43318		ROD GUIDE K9	1,00			--
0021		GUGO03501		O-RING D. 9.92 X 2.62 VIT 70SH	1,00			--
0022		GUVR43319		PACKING D. 8 K9	1,00			--
0023		GUGO01036		O-RING D. 10.82 X 1.78 NBR 70SH	1,00			--
0024		PVVR43320		BUSHING K9	1,00			--
0025		PVVR43321		VALVE BODY K9 I.	1,00			--
0026		UGEI43322		NOZZLE K9	1,00			--
0027		MLML43323		SPRING D. 7.2X24 K9	1,00			--
0028		RCDS43324		NIPPLE G 1/2 K9	1,00			--



Ref. Part N.	Cust. Part N.	Description	Reference	Price
KTRI36929	KIT P	121	0001 0003 0004 0005 0006 0007 0008 0009 0010 0011	--



Ref. K	Part N.	Customer Part N.	Description	Qty	Validity: From To	Price
0001	VTAE13935		CIRCLIP D. 7 UNI 7435	1,00		--
0002	VTDD00151		NUT M.10	1,00		--
0003	PVVR40000		RING NUT H440	1,00		--
0004	PVVR40001		REGULAT. SCREW H440	1,00		--
0005	PVVR40002		SPRING PLATE H440	2,00		--
0006	GUVR40000		ANTI-EXTR.RING D. 17.3X20X1.5	2,00		--
0007	GUVR40001		ANTI-EXTR.RING D. 10 X14.7X1.5	1,00		--
0008	S MLML40000		DISC SPRINGS D. 28 X10.2	39,00		--
0009	VTRS04417		WASHER D.17,5X30 X2,5	1,00		--
0010	PVVR40003		BUSHING H440	1,00		--
0011	PVVR40004		PUSH ROD H440	1,00		--
0012	VTVR63342		PLUG 3X16 UNI 1707 ZC	1,00		--
0013	PVVR40005		ROD GUIDE H440	1,00		--
0014	S GUVR40000		ANTI-EXTR.RING D. 17.3X20X1.5	2,00		--
0015	S GUGO03505		O-RING D. 15.6 X 1.78 NBR 70SH	2,00		--
0016	S GUVR40001		ANTI-EXTR.RING D. 10 X14.7X1.5	1,00		--
0017	S GUGO01060		O-RING D. 9.92 X 2.62 NBR 70SH	1,00		--
0018	PVVR40006		SPACER H440	1,00		--
0019	S GUGO40000		O-RING D.10 X 4 - NBR 70SH	1,00		--
0020	S GUVR40002		ANTI-EXTR.RING D. 10 X17X2	1,00		--
0021	PVVR40007		BUSHING H440	1,00		--
0022	S VTAE40000		CIRCLIP D. 10 X1.2	1,00		--
0023	RCDS01091		CAP 1/2X10 M	1,00		--
0024	VTRS00549		WASHER D.21,5X27X1.5 (1/2) RM	1,00		--
0025	PVVR40008		CAP M24X1.5 H440	1,00		--
0026	S MLML04340		SPRING D. 9.2X16 HM	2,00		--
0027	S SFVR76570		BALL 13/32 (10,319) INOX - HM	1,00		--
0028	S PVVR40009		VALVE SEAT H440	1,00		--
0029	S GUGO11652		O-RING D. 12.42 X 1.78 NBR 70SH	1,00		--
0030	S GUVR37653		ANTI-EXTR.RING D.14.2X17 X1.5 PTFE	1,00		--
0031	PVVR40010		VALVE BODY H440	1,00		--
0032	S GUGO12612		O-RING D. 9.12 X 3.53 NBR 70SH	1,00		--
0033	PVVR40011		COUPLING H440	1,00		--
0034	PVVR40012		BUSHING OTT. H440	1,00		--
0035	S GUGO09699		O-RING D. 18.77 X 1.78 NBR 70SH	1,00		--
0036	S GUVR40003		ANTI-EXTR.RING D.20.4X23X1.5	1,00		--
0037	RCDS40000		NIPPLE G 1/2 H440	1,00		--
0038	MPVR40001		FORK H440	1,00		--
0039	PVVR40013		KNOB H440	1,00		--



Ref. Part N.	Cust. Part N.	Description	Reference	Price
KTRI40000	KIT P	14-185 H440	0008 0014 0015 0016 0017 0019 0020 0022 0026 0027 0028 0029 0030 0032	
			0035 0036	--